



Standard Pattern Brass Lever Ball Valve M x F

- Economic - High Performance
- Blowout Proof Stem
- Maintenance Free
- Aluminium Lever Handle
- Standard pattern
- Male x female Ends
- Certificate on request

Description

General Purpose brass nickel plated ball valve - standard pattern with aluminium lever in red. Full bore, screwed BSPP male x female anti blow out stem and PTFE seats. Good for general air and water duty. Applications – compressed air lines, isolation of liquids.

This valve is a WRAS approved product for use with potable water.



Description

A heavy duty brass nickel plated ball valve that's used in many general industrial applications throughout the UK and Europe. Full flow with anti blowout stem up to 2". Holds WRAS Approval for use with potable water.



Beschreibung

Hochleistungskugelhahn aus Messing mit Nickelbeschichtung, der in vielen allgemeinen Industrieanwendungen in Großbritannien und Europa eingesetzt wird. Voller Durchfluss mit Anti-Blowout-Spindel bis zu 2". Hält die WRAS-Zulassung für die Verwendung mit Trinkwasser.



Descripción

Una válvula de bola de latón niquelado de alta resistencia que se utiliza en muchas aplicaciones industriales generales en todo el Reino Unido y Europa. Flujo total con vástago anti explosión de hasta 2". Cuenta con la aprobación WRAS para uso con agua potable.



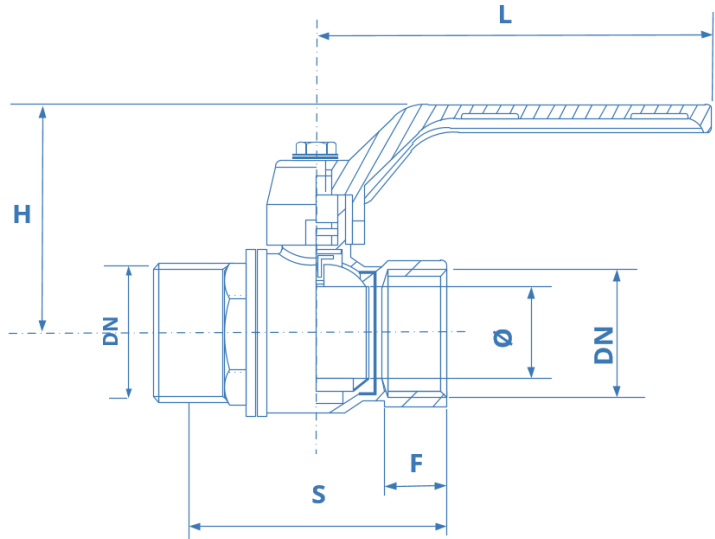
Description

Robinet à boisseau sphérique en laiton nickelé très résistant utilisé dans de nombreuses applications industrielles générales au Royaume-Uni et en Europe. Débit maximum avec tige anti-éruption jusqu'à 2". Détient l'approbation WRAS pour une utilisation avec de l'eau potable.

Standard Pattern General Purpose
 Red Aluminium lever.
 Male x Female End Connections
 WRAS Approved.
 European Manufacturer



Dimensions shown are for guidance only



Dimensions

Size	Ø	L	H	S	F	Kg
1/4"	8	80	45	38	10.5	0.11
3/8"	10	80	45	42	10.5	0.13
1/2"	14.5	80	47	48	13	0.17
3/4"	19	90	53	57	14	0.28
1"	24	90	58	69	17	0.41
1 1/4"	30.5	120	69	79	17	0.64
1 1/2"	37	135	81	89	19	0.94
2"	47	160	94	109	21	1.51

Material List

Body	Nickel plated brass
Body End	Nickel plated brass
Seat	PTFE
Ball	Chrome Plated Brass
Handle	Aluminium
O ring	NBR
Stem	Brass

Pressure / Temperature Ratings

Temperature	-20°C to 110°C
Working Pressure	PN40 1/4" - 1/2"
	PN32 3/4" - 1"
	PN25 1 1/4" - 2"



Manufactured by RIV in Italy