



## Brass F x F Angle Pattern Ball Valve - EN331 Gas

- EN331 BG Certified
- BSPP Female x Female
- 1/2" - 3/4"
- Full Bore
- Yellow Butterfly Handle

### Description

#### DESCRIPTION

Brass ball valve nickel plated, screwed BSPP female, full bore and fitted with a yellow butterfly handle. The valve is approved for use on Gas to EN331: 1998 +A1:2010 British Gas. PTFE seats with NBR stem O rings. Most common use is on gas systems where space is at a premium. For on both industrial and domestic process. Heating, hot water, cold water, oil, fuel, gas and air pipe systems.



BSI Gas Approved



### Description

An angled pattern nickel plated brass ball valve having BSI Gas approval. Screwed female x female BSPP. Full bore with yellow lever handle.  
Rated PN40 1/2" - 3/4"  
Temperature :  
Liquid -20°C to 60°C  
Gas -20°C bis 110°C



### Beschreibung

Ein Kugelventil aus vernickeltem Messing mit abgewinkeltem Muster und BSI-Gaszulassung. Innengewinde x Innengewinde BSPP. Volle Bohrung mit gelbem Hebelgriff.  
Nenngröße PN40 1/2" - 3/4"  
Temperatur:  
Flüssigkeit -20°C bis 60°C  
Gas -20°C bis 110°C



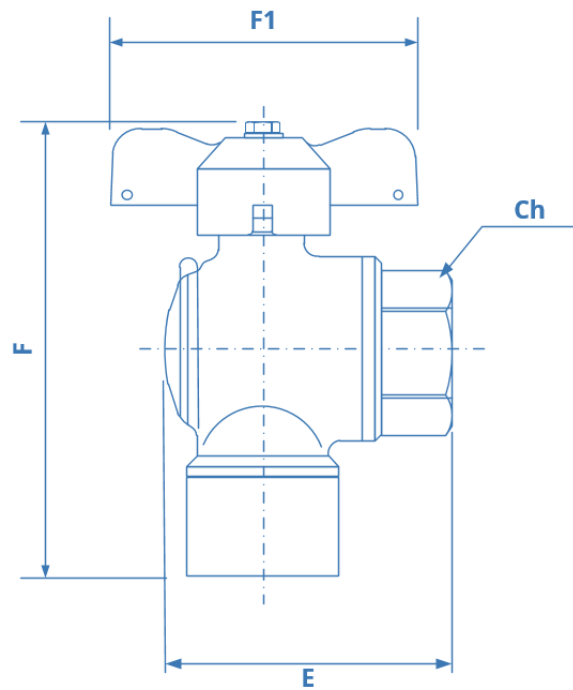
### Descripción

Válvula de bola de latón niquelado con patrón en ángulo y con aprobación de gas BSI. Tornillo hembra x hembra BSPP. Diámetro total con mango amarillo.  
Clasificación PN40 1/2" - 3/4"  
Temperatura :  
Líquido -20°C a 60°C  
Gas -20°C bis 110°C



### Description

Robinet à boisseau sphérique en laiton nickelé à modèle incliné, homologué BSI Gas. Femelle vissée x femelle BSPP. Plein alésage avec levier jaune.  
Classé PN40 1/2" - 3/4"  
Température :  
Liquide -20°C à 60°C  
Gaz -20°C à 110°C



Dimensions shown are for guidance only

## DIMENSIONS

Size	F1	F	E	CH	Kg
1/2"	50.0	77.0	45	26.00	<b>0.32</b>
3/4"	61	89.9	57	32.00	<b>0.52</b>

## Pressure / Temperature Ratings

Pressure	1/2" - 3/4" PN40 (Liquid)
	1/2" - 3/4" PN5 (Gas)
Temperature Fluid 1/4"-2"	-20°C to +110°C
Temperature Gas 1/4"-2"	-20°C to +60°C

## Material List

Body, Sleeve	CW617N Brass
Ball	Chrome CW617N Brass
Seats	PTFE
Stem	CW614N Brass
Stem O-Rings	NBR & PTFE
Lever and Ext Spindle	Cast Aluminium



BSI Gas Approved

Manufactured in Italy by RIV