



WRAS Approved Compression Ended Brass Ball Valve

- Colour Coded Levers
- WRAS Approved
- Compression Ends
- -10°C to +110°C
- PN25 rated

DESCRIPTION

A robust nickel plated brass ball valve. The ends are compression ended Copper to Copper. Full bore with a brass hard chrome plated ball. A choice of Red, Yellow or Blue PVC coated insulated levers, with a 90° rotation. Ideal for HVAC and domestic water applications.

Gas Approved on Request
With Yellow Handle (lever and Butterfly)

Design Advantages

An economical ball valve that offers high performance isolation, that's usually associated with much more expensive valves.

WRAS Approved

WRAS
APPROVED
PRODUCT



Description

A WRAS approved compression ended (copper to copper) nickel plated full bore ball valve, with red, blue or yellow PVC coated lever. 15mm PN40 and 22mm to 28mm PN32 42mm and 54mm also available. Temperature Range -20°C to +110°C.



Beschreibung

Ein nach WRAS zugelassener Kugelhahn mit vollständigem Durchgang (Kupfer zu Kupfer) und vernickeltem Druckanschluss, mit rotem, blauem oder gelbem PVC-beschichtetem Hebel. 15 mm PN40 und 22 mm bis 28 mm PN32 42mm und 54mm auch erhältlich Temperaturbereich -20 ° C bis + 110 ° C.



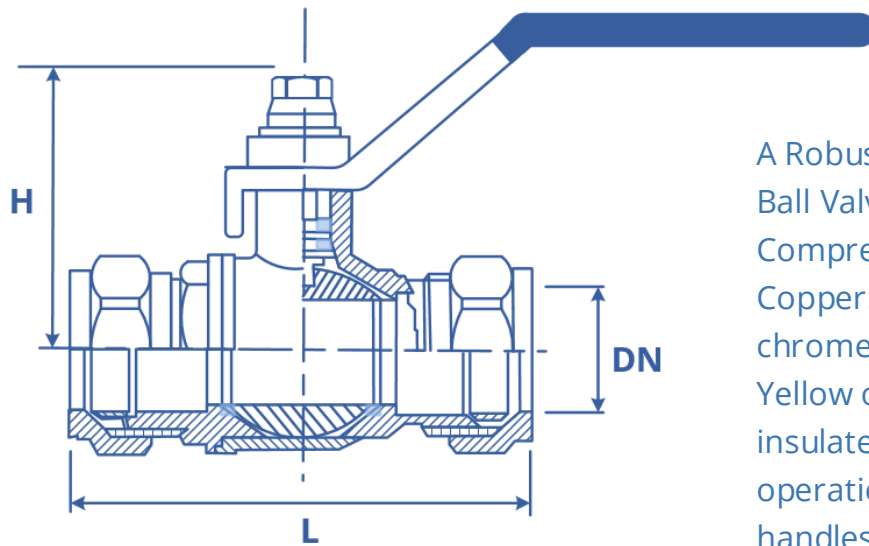
Descripción

Válvula de bola de paso total niquelada con terminación de compresión (cobre a cobre) aprobada por WRAS, con palanca recubierta de PVC roja, azul o amarilla. 15mm PN40 y 22mm a 28mm PN32 42 mm y 54 mm también disponibles. Rango de temperatura de -20 ° C a + 110 ° C.



Description

Robinet à boisseau sphérique à passage intégral, nickelé, terminé par compression (cuivre à cuivre), approuvé par WRAS, avec levier à revêtement en PVC rouge, bleu ou jaune. 15mm PN40 et 22mm à 28mm PN32 42mm et 54mm également disponibles. Gamme de température -20 ° C à + 110 ° C.



A Robust Compression Ended Brass Ball Valve, Nickel Plated. Ends are Compression ended Copper to Copper. Full bore with a brass hard chrome plated ball. A choice of Red, Yellow or Blue coded, PVC coated insulated lever, with 90° rotation in operation. Also available with Butterfly handles.

Gas Approved in Yellow Coded handle available 15mm – 54mm (please enquire)

Dimensions shown are for guidance only

| Dimensions in mm | | | |
|------------------|--------|--------|------|
| Size mm | Length | Height | Kg |
| 15 | 70.5 | 52.5 | 0.3 |
| 22 | 80 | 54.5 | 0.34 |
| 28 | 91.5 | 69 | 0.57 |
| 35 | 109 | 78 | 0.94 |
| 42 | 123 | 86 | 1.18 |
| 54 | 150 | 100 | 2.15 |

Typical Applications

Domestic Water and Heating Systems

| Material List | |
|------------------|----------------------------|
| Body | Brass |
| Ball | Brass hard chrome plated |
| Seats | PTFE |
| Stem | Brass |
| Handle | Steel coloured PVC handles |
| Compression nut | Brass |
| Compression cone | Brass |

| Technical Data | | |
|----------------|-------------|---------------------|
| Gas | Up to 60°C | Max Pressure 5 Bar |
| Liquid | up to 110°C | Max Pressure 25 Bar |

