





SKU: PR4304

-  VOLT Brass Pressure Reducing Vaves
-  VOLT Messing Druckminderer vaves
-  VOLT Presión Latón Reducir vaves
-  VOLT Laiton de réduction de pression Vaves

Valves[™]
O N L I N E

- Brass PRV – Screwed, Union and Compression Ends
- Messing PRV - Screwed , Union und Compression Ends
- Latón PRV - Screwed , Unión y compresión Final
- Brass PRV - Screwed , Union et Compression Ends



- **Maximum Inlet 25/22 Bar**
- **-10° C to 80° C**
- **Tommy Bar Operated**
- **Fluids: Oil, Water**

Description:

Brass Pressure Reducing Valve,
all with gauge ports and operated via
a small Tommy bar (not provided).

1. Screwed ½” - 4” WRAS Approved 0.5 – 6 Bar outlet range

2. Union Ends ½” - 2” Not WRAS 0.5 – 6 Bar Outlet Range

3. Compression Eng 22 mm 0.5 – 6 Bar Outlet Range

VOLT Brass Pressure Reducing Valves up to 4"



Description

A Range of Brass Pressure reducing Valves with various end connections including Screwed BSP, Union Ended and Compression. All PRV s have the facility of a gauge port and are operated via a Tommy bar..



Beschreibung

Eine Palette von Messing -Druckregelventile mit verschiedenen End-Verbindungen einschließlich Screwed BSP , Union beendet und Kompression . Alle PRV s haben die Möglichkeit aus einem Messanschluss und über einen Drehstift betrieben ..







Descripción

Una gama de Presión Latón válvulas reductoras con varias conexiones finales , incluyendo Screwed BSP , Unión terminó y compresión . Todo PRV s tienen la facilidad de un puerto de calibre y son operados a través de una barra de Tommy ...



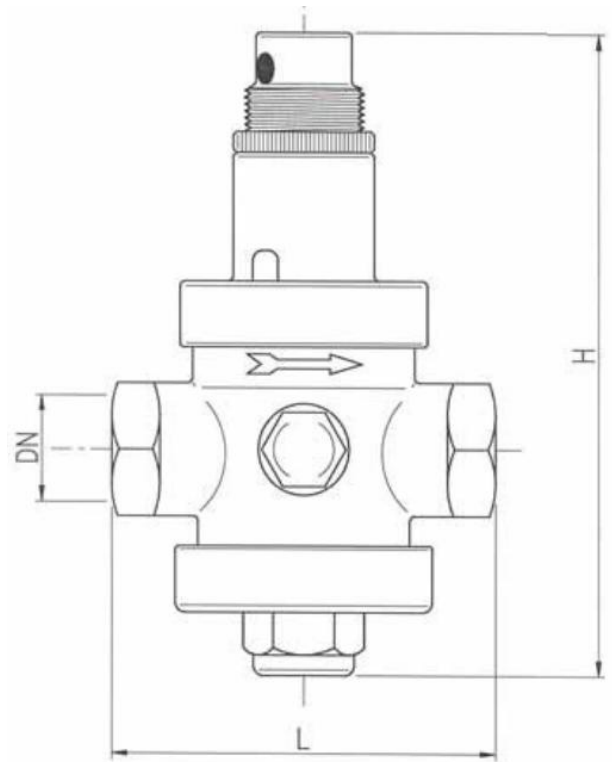
Description

Une gamme de réducteurs de pression en laiton avec divers raccords d'extrémité , y compris Screwed BSP , l'Union a pris fin et la compression . Tous PRV s ont l'installation d'un port de jauge et sont exploités via une barre Tommy

-  VOLT Brass Pressure Reducing Vaves
-  VOLT Messing Druckminderer vaves
-  VOLT Presión Latón Reducir vaves
-  VOLT Laiton de réduction de pression Vaves

Brass Screwed Pressure Reducing Valve

- **Maximum inlet 25 Bar**
- **Maximum outlet 0.5 – 6 Bar**
- **-10° C to 80° C**
- **½" - 4"**







**Tommy Bar Operator
Gauge Port ¼"**

Dimensions			
DN	L	H	Kg
1/2"	75	120	0.94
3/4"	85	150	1.6
1"	89	160	1.72
1 1/4"	125	220	3.22
1 1/2"	130	220	3.4
2"	138	250	5.06
2 1/2"	145	260	5.36
3"	177	285	5.8
4"	190	310	6.88

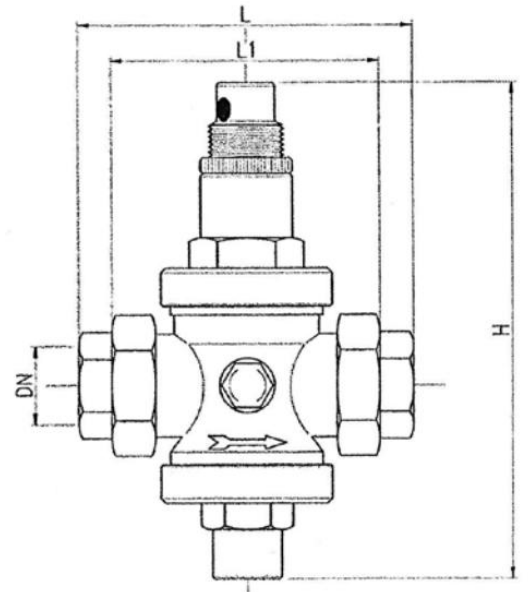


Materials	
Body	Brass CW617 N UNI EN 12165
Internals	Brass CW617 N UNI EN 12164
Seat	Stainless Steel 303
Stem	Brass CW614 N UNI EN 12164
O-Rings	NBR/FP75N
Flat Gaskets	Fasit
Plastic Parts	Ultramid A3K

-  VOLT Brass Pressure Reducing Vaves
-  VOLT Messing Druckminderer vaves
-  VOLT Presión Latón Reducir vaves
-  VOLT Laiton de réduction de pression Vaves

Brass Union Pressure Reducing Valve





- **Maximum inlet 25 Bar**
- **Maximum outlet 0.5 – 6 Bar**
- **-10° C to 80° C**
- **½" - 2"**



**Tommy Bar Operator
Gauge Port ¼"**

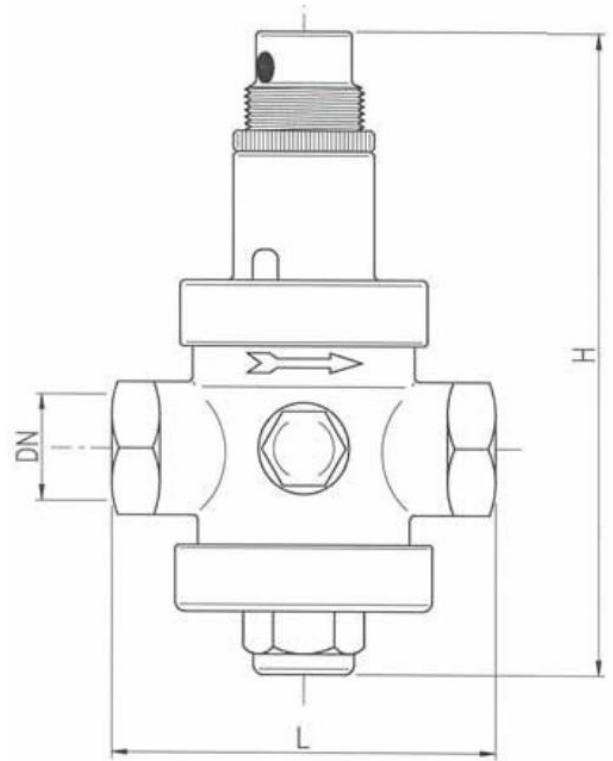
Dimensions				
DN	L	L1	H	Kg
½"	112	75	120	0.94
¾"	135	88	160	1.6
1"	140	93	166	1.85
1¼"	170	110	220	3.4
1½"	175	110	220	3.5
2"	200	130	250	5.11

Materials	
Body	Brass CW617 N UNI EN 12165
Internals	Brass CW617 N UNI EN 12164
Seat	Stainless Steel 303
Stem	Brass CW614 N UNI EN 12164
O-Rings	NBR/FP75N
Flat Gaskets	Fasit
Plastic Parts	Ultramid A3K

-  VOLT Brass Pressure Reducing Vaves
-  VOLT Messing Druckminderer vaves
-  VOLT Presión Latón Reducir vaves
-  VOLT Laiton de réduction de pression Vaves

Brass Compression Ended Pressure Reducing Valve

- Maximum inlet 22 Bar
- Maximum outlet 0.5 – 6 Bar
- -10° C to 80° C
- 22mm Compression End
- Supplied with Gauge



Dimensions			
DN	L	H	Kg
22	96	125	1.05

Materials	
Body	Brass CW617 N UNI EN 12165
Internals	Brass CW617 N UNI EN 12164
Seat	Brass CW617 N UNI EN 12164
Stem	Brass CW614 N UNI EN 12164
O-Rings	NBR
Plastic Parts	Ultramid A3K

**Tommy Bar Operator
Supplied with Gauge**

DISCHARGE AND HEADLOSS CHART:

