



## Bronze Screwed Gate Valve, 1/4" - 4", BSPP & NPT

- Cast Bronze Body
- Handwheel Operated
- Offered in Both BSPP & NPT
- Ideal For Isolation
- Robust and Rugged Construction
- 1/4" up to 4"
- Non Rising Stem

### > Description

The GV4201 Gate Valve is a rugged, cast bronze body and bonnet, BS:1400 LG2 valve suitable for medium duty isolation of fluids up to a temperature not exceeding 180°C. Offered with threaded end connections, in sizes ranging from 1/4" - 4" in BSPP and NPT threads to BS 5154. Easy to install and is operated via a cast iron handwheel. This gate valve is used on isolation and not to be used for throttling, where we would recommend a globe valve. Suitable for pressures rated PN20. Maintenance free, which makes this an excellent choice of valve.

Options in this range include Handwheel or Lockshield.

### > Key Features

- Maximum working pressure PN20
- Working temperature -20°C to +180°C
- NPT Threads 1/2" - 2" Handwheel Only
- BS: 1400 LG2 Bronze Body & Bonnet



### Description

A Cast bronze screwed gate valve, suitable for isolating applications. Handwheel operated and offered in sizes ranging from 1/4" up to 4" BSPP & 1/2" - 2" NPT (Handwheel Only)  
Temperatures of -20°C to +180°C  
Rated pressure PN20.



### Beschreibung

Ein verschraubter Absperrschieber aus Bronzeguss, geeignet für Absperranwendungen. Handradbetätigt und in Größen von 1/4" bis 4" BSPP & 1/2" - 2" NPT (nur Handrad) Temperaturen von -20 °C bis +180 °C Nenndruck PN20.



### Descripción

Válvula de compuerta roscada de fundición de bronce, apta para aplicaciones de aislamiento. Se opera con volante y se ofrece en tamaños que van desde 1/4" hasta 4" BSPP y 1/2" - 2" NPT (solo volante) Temperaturas de -20 °C a +180 °C Presión nominal PN20.



### Description

Un robinet-vanne vissé en bronze coulé, adapté aux applications d'isolement. Actionné par volant et proposé dans des tailles allant de 1/4" à 4" BSPP et 1/2" - 2" NPT (volant uniquement) Températures de -20°C à +180°C Pression nominale PN20.

## > Brass Screwed Gate Valve

- Maximum working pressure PN20
- Working temperature -20°C to +180°C
- NPT Threads 1/2" - 2" Handwheel Only

### Dimensions

A	B	H	W	Cv*	Kv**	Kg
1/4"	44	77	54	TBC	TBC	0.31
3/8"	44	77	54	TBC	TBC	0.31
1/2"	46	77	54	16.4	13	0.31
3/4"	50	85	54	37.4	42	0.5
1"	55	102	65	66.7	57	0.54
1 1/4"	61	115	65	105.3	90	0.7
1 1/2"	63	126	76	150.9	129	1.03
2"	71	158	82	269.1	230	1.2
2 1/2"	88	189	100	500.8	428	2.6
3"	99	226	115	795.6	680	3.9
4"	118	265	135	1273	1088	6.5

### Pressure Equipment Directive Specifications

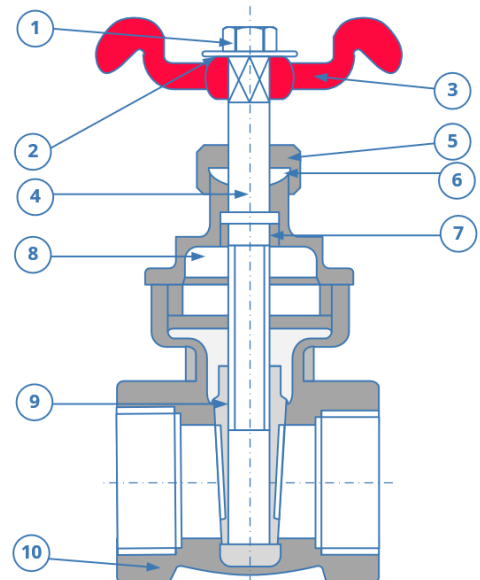
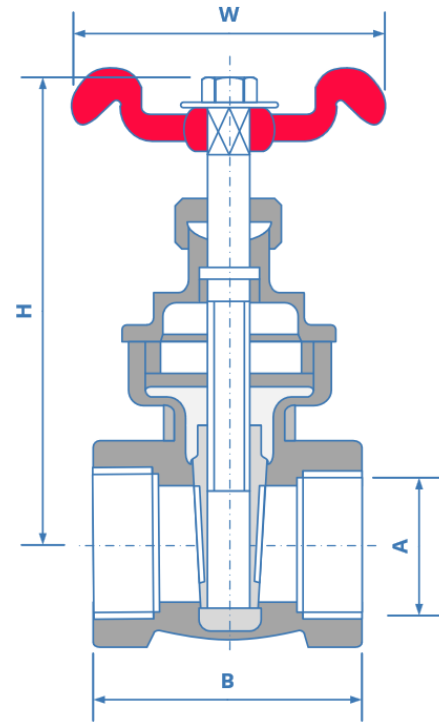
1/4" to 3/8"	1/2" to 1"	1 1/4" to 2"	2 1/2" to 3"	4"
TBC	SEP	CAT 1 (CE)	CAT 2 (CE)	CAT 3 (CE)

\* Flow rate in US GPM at a pressure drop of 1 psi.

\*\* Flow rate in M<sup>3</sup> per hour at a pressure drop of 1 bar

### Material Specifications

1	Nut and Washer	Mild steel
2	Name Plate	Aluminium
3	Handwheel	Cast Iron
4	Stem	Brass
5	Gland Nut	Bronze
6	Gland Packing	PTFE
7	Bonnet	BS:1400 LG2 Bronze
8	Check Nut	Bronze
9	Wedge	Bronze
10	Body	BS:1400 LG2 Bronze



All information is sourced from our manufacturer's data and is intended for guidance only - Valves Online can accept no liability for changes, omissions or errors.

