

WRAS and GAS Approved Brass Ball Valve

- Economy Brass Ball Valve
- Nickel Plated Body
- Sizes 1/4" to 4" (up to 2" in Blue)
- Lever in Red and Blue
- PTFE Seats
- Full Bore
- Anti Blow-Out Stem

DESCRIPTION

Brass nickel plated (HT), full bore ball valve, certified to **EN331 British Gas and WRAS approved**. Screwed BSPP Female with PTFE Seats, NBR/Viton stem O Rings, Anti-Blow Out Stem. Yellow, Red or Blue PVC Coated Steel Lever.

Typical Applications For Isolation of industrial and domestic process. Heating, Hot water, Cold Drinking water, oil, fuel, gas and air pipe systems

Design Advantages

An economical ball valve that offers high performance isolation, that's is usually associated with much more expensive valves.

BSI Gas Approved
WRAS Approved



Description

Full bore screwed BSPP female x female ball valve, with Yellow, Red or Blue PVC coated lever. Suitable and approved for use with drinking water or Natural Gas. Holds both WRAS approval and BSI Approval.
Certified EN331:1998 + A1:2010
Temperature Range - 0°C to + 90°C.



Beschreibung

Völlig geschraubtes BSPP weibliches x weibliches Kugelventil, mit gelbem, rotem oder blauem PVC beschichtetem Hebel. Geeignet und zugelassen für die Verwendung mit Trinkwasser oder Erdgas. Enthält sowohl die WRAS-Genehmigung als auch die BSI-Genehmigung.
Zertifiziert EN331: 1998 + A1: 2010
Temperaturbereich - 0°C bis + 90°C.



Descripción

Válvula de bola BSPP hembra x hembra con rosca completa, con palanca recubierta de PVC amarilla, roja o azul. Adecuado y aprobado para su uso con agua potable o gas natural. Contiene la aprobación WRAS y la aprobación BSI.
Certificado EN331: 1998 + A1: 2010
Rango de temperatura - 0°C a + 90°C.



Description

Robinet à boisseau sphérique BSPP femelle x femelle, à passage intégral, avec levier en PVC jaune, rouge ou bleu. Approprié et approuvé pour une utilisation avec de l'eau potable ou du gaz naturel. Contient à la fois l'approbation WRAS et l'approbation BSI.
Certifié EN331: 1998 + A1: 2010
Plage de température - 0°C à + 90°C.

BSI Gas Approved

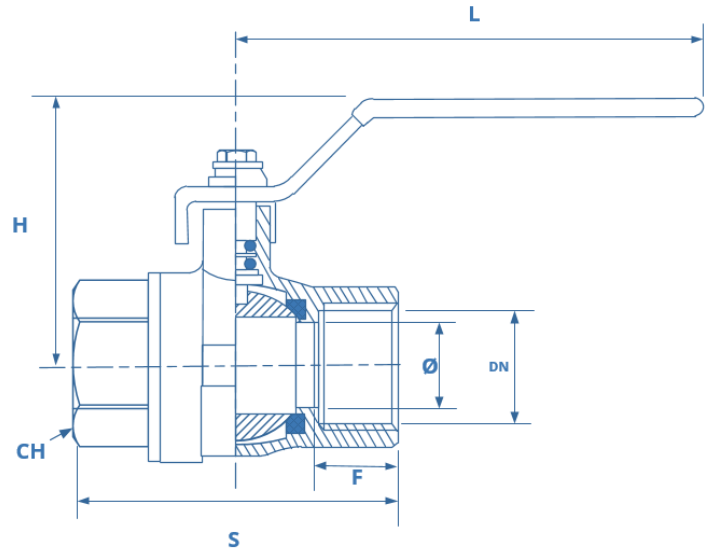


Description

Brass Nickel Plated , Full Bore Ball Valve - EN331 British Gas and WRAS approved, screwed BSPP Female, PTFE Seats, NBR/Viton stem O Rings, Anti-Blow Out Stem. Yellow, Red and Blue PVC Coated Steel Lever.

Typical Applications For Isolation of industrial and domestic process. Heating, Hot water, Cold water, oil, fuel, gas and air pipe systems

Options
There are many options with regard to operators and threads:- Butterfly Lever, Lockable Lever Neck Extensions (good if lagging is required) Male x Female Thread, High pressure.



DIMENSIONS

Size	Ø	F	S	H	L	Boxes Qty	Kg	Pressure (bar)
1/2"	14.5	16.5	56.3	48.8	81	30	0.16	40
3/4"	19	17.4	34.5	55.3	105	10	0.27	32
1"	24	20.7	79.2	62.6	105	12	0.41	32
1 1/4"	30.5	22.5	88.7	69.6	120	6	0.62	25
1 1/2"	37	22.8	98.3	82.1	135	6	0.87	25
2"	47	27	119.8	94.1	160	4	1.5	25
2 1/2"	60	22	129	105	162	N/A	2.03	25
3"	74	23	148	143	272	N/A	3.72	16

Dimensions shown are for guidance only

Pressure / Temperature Ratings

Pressure	1/2" PN 40
Pressure	3/4" - 1" PN32
Pressure	1 1/4" - 2 1/2" PN25
Pressure	3" - 4" PN16
Temperature Range	-20°C to +110°C

Material List

Body	Brass Nickel Plated
Ball	Chrome Plated Ball
Stem	Brass
Stem O-Rings	NBR
Lever	Steel PVC Coated

Gas Temperature Range -20°C to 70°C.
Liquids Temperature Range -20°C to 110°C.

