



Axial Disc Check Valve WRAS Approved

- PN16 Rated
- – 10°C to 120°C
- Flanged PN16
- WRAS Approved
- Anti Hammer
- Excellent Value



Description

Axial Disc Check Valve with a Cast Iron Body, EPDM Seat, Stainless Steel Spring, to suit PN16 Flanges, Rated PN16, Temperature -10°C to 120°C. Pumping and water distribution industry's.



Beschreibung

Prüfen Axial Disc Ventil mit einem Gusseisenkörper , EPDM Sitz, Edelstahl-Feder, PN16 Flansche, bewertet PN16 zu entsprechen , Temperatur -10°C bis 120°C. Pumpen und Wasserversorgung der Industrie .



Descripción

Axial del disco válvula de retención con un Cuerpo de hierro fundido , Asiento EPDM , resorte del acero inoxidable , para adaptarse a PN16 Bidas PN16 , Calificación , Temperatura de -10°C a 120°C. El bombeo y la industria de distribución de agua .



Description

Axial Disc Check Valve avec un Cast Iron Body , EPDM Siège , Ressort en acier inoxydable , en fonction de PN16 Brides , Évalué PN16 , Température -10°C à 120°C . Pompage et de l'industrie de la distribution de l'eau de .

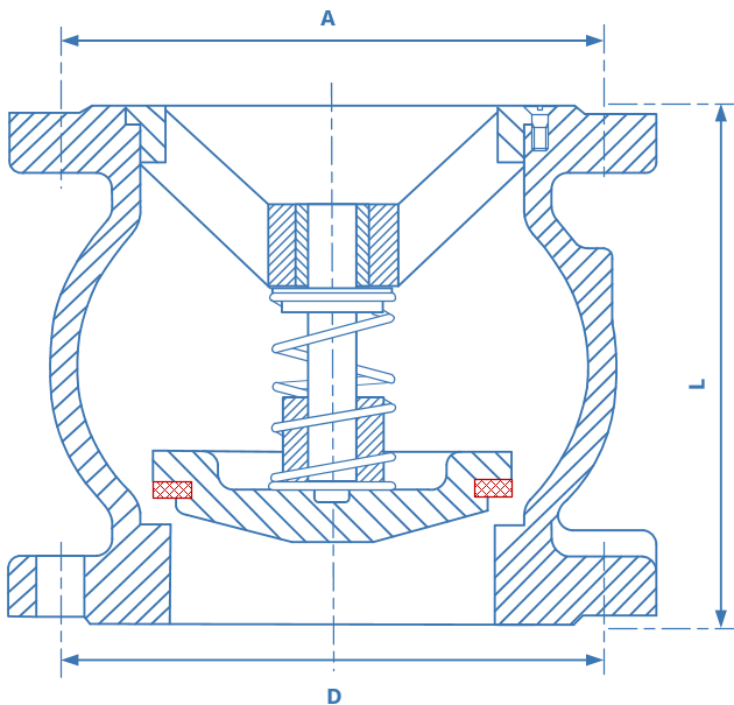
Description:

Our Axial Disc Check valve is designed to protect drinking water against polluted water. It offers silent operation with exceptional robustness, very low head loss and excellent, reliable sealing. Cast Iron body with anti corrosion epoxy coated internal and external paint. PN16 rated with EPDM seats and stainless steel spring.

**Minimum Back Pressure 0.2 Bar
WRAS Approved**

[View Product Online](#)

Click
Here



Pressure / Temperature Specifications

Pressure	PN16
Temperature	- 10°C to +120°C

- Completely guided disc on both top and bottom
- Perfect tightness, soft sealed even at low differential pressure.
- Spring automatically closes the disc at Zero flow, before flow reversal.
- Prevents Surge and water hammer.

Materials

Body	Cast Iron GG25
Seat	Cast Iron GG25
Disc	Cast Iron GG25
Disc Ring	EPDM
Spring	Stainless Steel
Bushing	Bronze
Stem	Stainless Steel
Bracket	Cast Iron GG25
Screw	stainless Steel

Dimensions

DN	A	L	D	Kg
2"	97	100	165	8
2 1/2"	125	120	185	10
3"	150	140	200	13
4"	187	170	220	18.3
5"	220	200	250	25.7
6"	260	230	285	34.3
8"	340	288	340	60
10"	420	354	405	80
12"	490	410	460	125

Options Axial Disc Double Check Valve



Zinc Coated Steel Strainer