

SKU: GV5006

-  VOLT Cast Iron Gate Valve Metal Trim Table D
-  VOLT Sphäroguss Absperrschieber Tabelle D
-  VOLT Hierro dúctil Válvula Puerta Tabla D
-  VOLT Fonte ductile Vanne Tableau D

Valves[™]
O N L I N E

- 4" Ductilet Iron Gate Valve Bronze Seat – Table D
- 4" Ductilet Iron Gate Ventil Bronze Seat - Tabelle D
- 4" Ductilet Iron Gate Válvula Bronce Asiento - Tabla D
- 4" Ductilet Iron Gate Valve Bronze Seat - Tableau D



Description:

A Flanged Ductile Iron Gate Valve Table D
Hand wheel Operated with Inside Screw Non
Rising Stem.

Ductile Iron Body, Cast Bronze Seat,
Temperature -10°C to 230°C.

Comply in Accordance with BS3464

4" Ductile Iron Gate Valve Table D Bronze Seat



Description

Flanged Table D, Ductile Iron Body, Bronze Trim,
inside Screw and Non Rising Stem. Pressure rating
of PN16
Temperature up to 230°C



Beschreibung

Flansch- Tabelle D , Sphäroguss Body, Bronze
Trim, Innenschraubeund nicht steigender
Spindel. Druckstufe PN16
Temperatur bis zu 230 ° C



Descripción

Con pestaña Tabla D , hierro dúctil cuerpo , bronce
Trim, en el interior del tornillo y no Rising Tallo .
Resistencia a la presión de PN16
Temperatura hasta 230 ° C



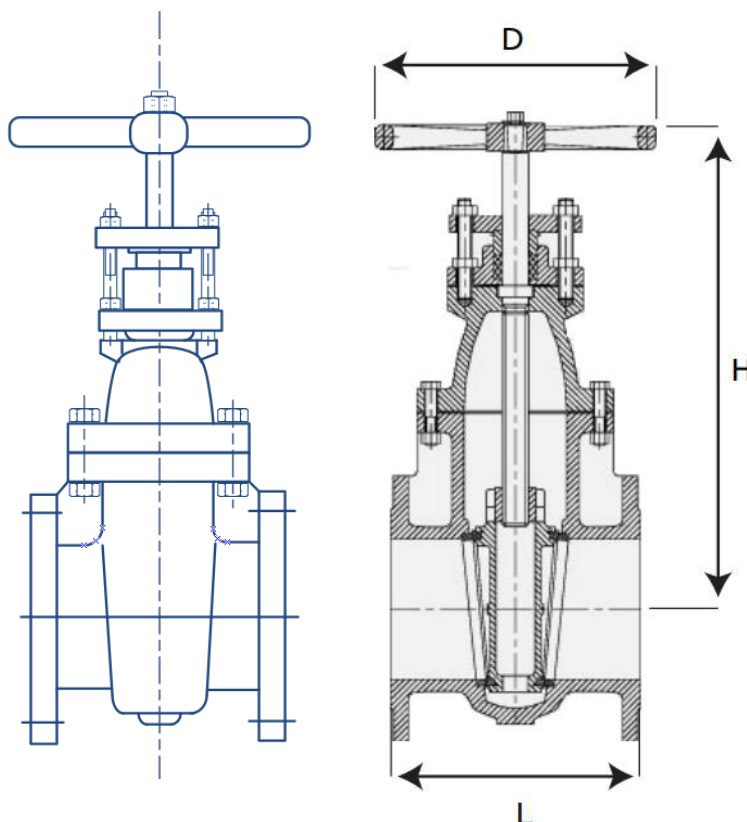
Description

Brides Tableau D , ductile Iron Body , Bronze Trim,
à l'intérieur de vis et non tige montante . Pression
nominale PN16
Température jusqu'à 230 ° C

-  VOLT Cast Iron Gate Valve Metal Trim Table D
-  VOLT Sphäroguss Absperschieber Tabelle D
-  VOLT Hierro dúctil Válvula Puerta Tabla D
-  VOLT Fonte ductile Vanne Tableau D

Table D Ductile Iron Gate Valve

Material Specification	
Body	Ductile Iron
Body Trim	Bronze
Wedge Trim	Bronze
Wedge Trim	Ductile Iron
Wedge Nut	Bronze
Stem	Brass/St St
Bonnet	Ductile Iron
Gasket	Graphite
Stuffing Box	Ductile Iron
Packing	Graphite
Handwheel	Ductile Iron



DIMENSIONS				
Size	D	L	H	Kg
4"	305	171	420	38

Pressure / Temperature Rating	
Pressure	16 Bar
Temperature	- 10°C to 230°C