



Table E Flanged Cast Iron Gate Valve

- Flanged Table E
- Cast Bronze seat
- BS3464
- Sizes from 2" to 8"
- Inside screw, Non Rising Stem
- Rated 12.8 Bar

> Description

The GV5005 is a heavy duty hand wheel operated gate valve. Flanged to Table E and complies with BS3464, rated 12.8 bar, having an inside screw and non rising stem. Cast iron body with cast bronze seat, ensures a tight shut off.

> Application

General purpose use in industrial and HVAC isolation applications. Suitable for hot and cold water. Handwheel operated.

> Key Features

- Available in sizes 2" to 8"
- Temperature Range – 10°C to + 230°C
- Pressure Rating 12.8 bar
- Flanged Table E



Description

Flanged Table E, gate valve. Cast Iron Body, Bronze Trim, Inside Screw, Non-rising Stem to BS5150 (EN1171) Rated 12.8 bar, Temperature -10°C to 230°C (Min./Max)



Beschreibung

Geflanschter Tisch E, Absperrschieber. Gusseisenkörper, Bronzeverkleidung, innenliegende Schraube, nicht steigende Spindel nach BS5150 (EN1171) Nennwert 12,8 bar, Temperatur -10 °C bis 230 °C (Min./Max.)



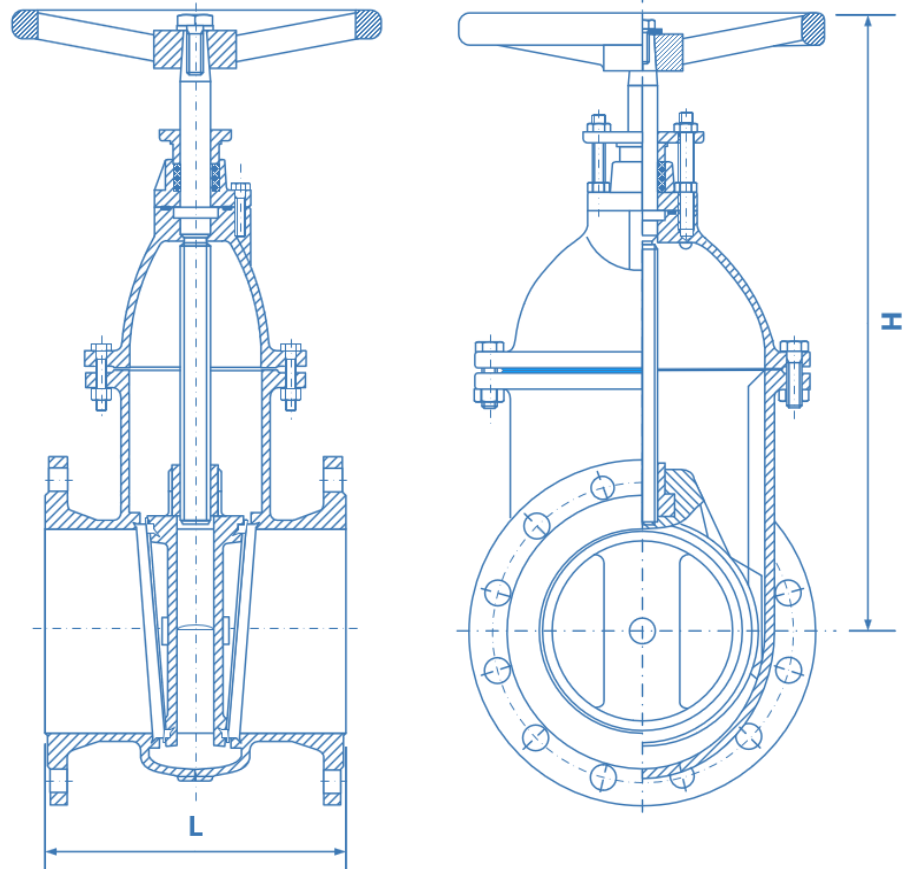
Descripción

Bridada Tabla E, válvula de compuerta. Cuerpo de hierro fundido, moldura de bronce, tornillo interior, vástago no ascendente según BS5150 (EN1171), clasificación de 12,8 bar, temperatura de -10 °C a 230 °C (mín./máx.)



Description

Tableau E à brides, robinet-vanne. Corps en fonte, garniture en bronze, vis intérieure, tige non montante selon BS5150 (EN1171) nominale 12,8 bar, température -10 °C à 230 °C (min/max)



> Table E Gate Valve

Cast Iron Gate valve with bronze trim. Inside screw non rising stem and handwheel operated clockwise close.

Dimensions					
Size	DN	L	H	Kg	Hand Wheel Ø Approx.
2"	50	146	306	17.4	190
2 1/2"	65	159	325	21.2	190
3"	80	165	350	25	190
4"	100	171	405	37.2	250
5"	125	191	487	48	305
6"	150	210	531	68	305
8"	200	241	650	120	356

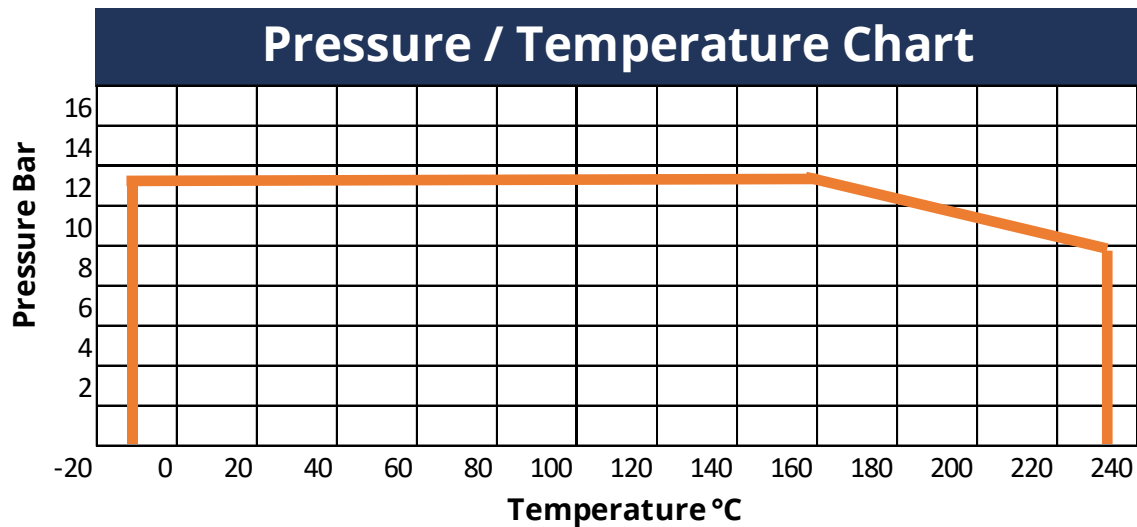
Material Specifications	
Body	Cast Iron
Bonnet	Cast Iron
Body seat	Bronze
Wedge	Cast Iron
Wedge Seat	Bronze
Stem	Stainless Steel
Stem Nut	Bronze
Gasket	Graphite
Packing	Graphite
Fasteners	Cast Iron
Handwheel	Cast Iron

> Pressure / temperature

Pressure:- 12.8 Bar
Temperature:- -10°C to 230°C

> Pressure / Temperature

Pressure 12.8 Bar Max
Temperature -10°C up to 230°C (see chart below)



> More Ductile Iron Gate Valves

- GV5004 PN16
- GV5006 Table D
- GV5008 PN16 Resilient Seat (WRAS)
- GV5003 PN16 Soft Seat (NBR)

All information is sourced from our manufacturer's data and is intended for guidance only - Valves Online can accept no liability for changes, omissions or errors.

