

Electric Actuated PN16 Lugged Butterfly Valve



- Actuator - Manual Override, Limit Switches
- Anti Condensation Heaters, IP66
- End of Line Service
- 2" to 12" to fit Lugged & Tapped PN16 Flanges
- Larger Sizes Available 14" to 24"



Description

A powerful electric actuated butterfly that fits PN16 flanges and used for on /off automation. This general purpose Lugged and Tapped butterfly valve can be fitted with various EPDM or NBR liner options. A stainless steel disc is fitted as standard. Fitted to an electric quarter turn actuator with supply voltages of 230V,110V & 24 VAC – 24 VDC



Beschreibung

Eine starke elektrische betätigte Schmetterling, PN16 Flansche passt und für Ein- / Aus- Automation. Dieser allgemeine Zweck geschlept und Stampf Absperklappe kann mit verschiedenen EPDM oder NBR-Liner Optionen ausgestattet werden. Eine Edstahlscheibe ist serienmäßig eingebaut. Ausgestattet mit einem elektrischen Schwenkantrieb mit Versorgungsspannungen von 230 V, 110 V und 24 VAC - 24 VDC



Descripción

Un potente de mariposa de accionamiento eléctrico que se adapte a las bridas PN16 y se utiliza para on / off de automatización. Este propósito general de tacos y la válvula de mariposa roscado se pueden equipar con diferentes opciones de revestimiento EPDM o NBR. Un disco de acero inoxidable está equipado de serie. Montado en un actuador eléctrico de cuarto de vuelta con tensiones de alimentación de 230V, 110V y 24 V - 24 V DC



Description

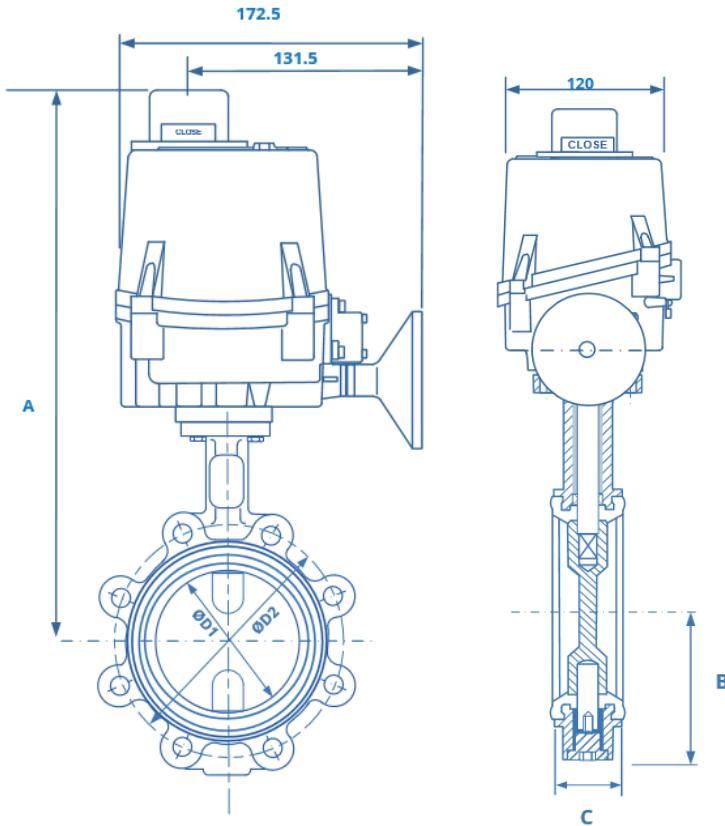
Un puissant papillon électrique actionné qui correspond à brides PN16 et utilisé pour on / off automatisé. Cet objectif général crantée et vanne papillon taraudés peuvent être équipés de différents EPDM ou NBR options de revêtement. Un disque en acier inoxydable est équipé en standard. Equipé d'un actionneur quart de tour électrique avec des tensions d'alimentation de 230V, 110V et 24 VAC - 24 VDC

DESCRIPTION

Our general purpose lugged and tapped butterfly valve has a cast iron body, epoxy coated with a stainless steel disc and shaft. Liner options are offered in EPDM or NBR. Rated PN16 up to 12" and PN10 above, Complies with 97/23/CE (PED) Directive CE 1115. The valve has an ISO 5211 top works for direct mounting onto our HQ range of Electric actuators. These are IP66 Protected and have various voltage supply options. The actuator has switches fitted as standard, optical indicators, manual override and anti condensation heaters. In addition all actuators have wiring diagrams in the lid.

[View Product Online](#)

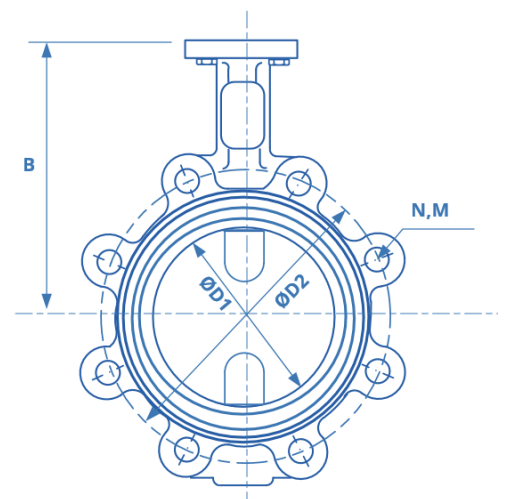
Click
Here



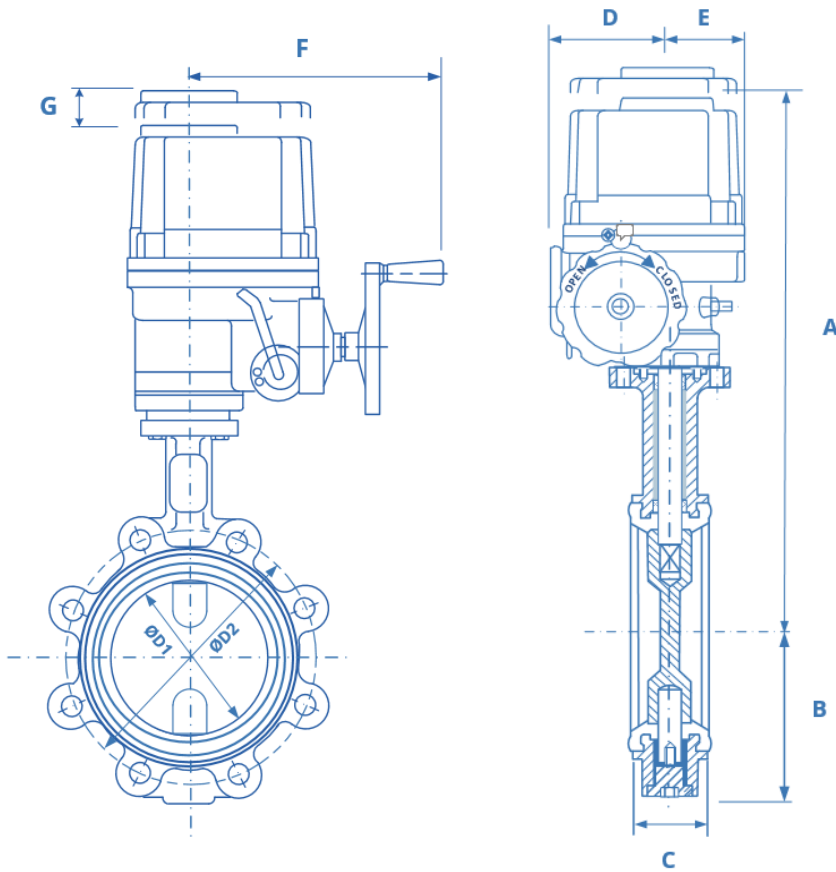
2"- 4" Valve Fitted with HQ005
Part Number AP9011

Dimensions									Operating Time	Weight
Valve	Actuator	A	B	C	D	E	F	G	Seconds	Kg
2"	HQ005	308	64	43	SEE ABOVE				13	5.6
2 1/2"	HQ005	315	70	46					13	6.6
3"	HQ005	332	84	52					13	6.6
4"	HQ005	352	95	56					13	7.6
5"	HQ008	428	114	58	100	70	208	120	16/13	13
6"	HQ015	469	131	60	142	87	265	160	25/21	24
8"	HQ020	512	155	60	142	87	265	160	25/21	31
10"	HQ030	561	187	68	160	99	286	180	31/26	44
12"	HQ050	614	220	78	160	99	286	180	31/26	55

Dimensions					
Valve	Actuator	B	D1	D2	N'M
2"	HQ005	126	50.8	125	4 x M16
2 1/2"	HQ005	133	65.1	145	4 x M16
3"	HQ005	150	78.8	160	4 x M16
4"	HQ005	170	102	180	8 x M16
5"	HQ008	181	125.1	210	8 x M16
6"	HQ015	196	150.1	240	8 x M16
8"	HQ020	238	199.8	295	8 x M20
10"	HQ030	258	248.5	350	12 x M20
12"	HQ050	300	298.3	400	12 x M20



All information is sourced from our manufacturer's data and is intended for guidance only - ValvesOnline can accept no liability for changes, omissions or errors.

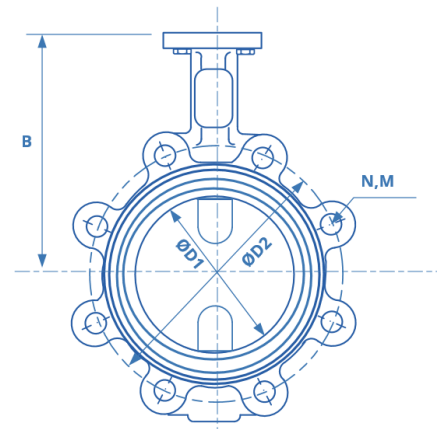
5"- 12" Valve Fitted with
HQ008 - HQ050

Dimensions

Dimensions									Operating Time	Weight
Valve	Actuator	A	B	C	D	E	F	G	Seconds	Kg
5"	HQ008	428	114	58	100	70	208	120	16/13	13
6"	HQ015	469	131	60	142	87	265	160	25/21	24
8"	HQ020	512	155	60	142	87	265	160	25/21	31
10"	HQ030	561	187	68	160	99	286	180	31/26	44
12"	HQ050	614	220	78	160	99	286	180	31/26	55

Dimensions

Valve	Actuator	B	D1	D2	N'M
2"	HQ005	126	50.8	125	4 x M16
2 1/2"	HQ005	133	65.1	145	4 x M16
3"	HQ005	150	78.8	160	4 x M16
4"	HQ005	170	102	180	8 x M16
5"	HQ008	181	125.1	210	8 x M16
6"	HQ015	196	150.1	240	8 x M16
8"	HQ020	238	199.8	295	8 x M20
10"	HQ030	258	248.5	350	12 x M20
12"	HQ050	300	298.3	400	12 x M20



All information is sourced from our manufacturer's data and is intended for guidance only - ValvesOnline can accept no liability for changes, omissions or errors.

Standard Actuator Specification for HQ005

Enclosure	: Weatherproof IP67
Power Supply	: 85 - 265 VAC 1 ph, 50/60Hz / 24 VAC/DC
Operating Time	: 90° - 30 seconds
Limit Switches	: 4 x SPDT, 250V AC 10A (2 std. & 2 additional)
Space Heater	: 2W Anti Condensation
Manual Override	: Handwheel Declutchable
Duty Cycle (on/offduty)	: S4, 70% (average load of 80% for Max. torque) S2, 50% (average load of 80% for Max. torque)
Travel Angle	: 330°
Conduit Entries	: 2 x M20
Ambient Temperature	: -20 °C to + 80 °C
External Coating	: Dry Powder, Polyester

PERFORMANCE

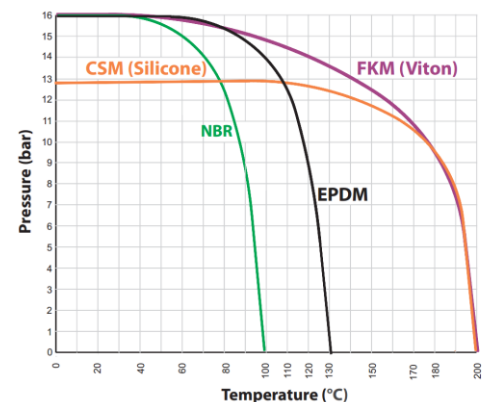
MODEL	HQ005
TORQUE(Nm)	50
SPEED 90° 50/60Hz	13
CURRENT 110/1/50	0.1A
(A) 220/1/50	0.05A
24 VAC/DC	0.8 A
WEIGHT	2.6
MAX.SQ.DRIVE	14
ISO 5211 mtg. base	F03, F04, F05, F07

Actuator Specification for HQ008/HQ0120

Enclosure	Weatherproof IP67
Power Supply	110/220V 1PH, 24 VAC/VDC, 380/440 AC 3PH
Operating Time	see hart
Limit Switches	4 x SPDT, 250V AC 10A
Space Heater	210W (110/240V AC) Anti Condensation Heater
Manual Override	Handwheel
Duty Cycle	S4, 70% standard, 100% for Max 30 mins
Travel Angle	90°
Conduit Entries	2 x M25 (PG13.5 or 1/2" NPT Option)
Ambient Temperature	minus 20° C to + 70° C
External Coating	Dry Powder, Polyester

Valve Details

1	Body	Rilsan Coated GG25 Cast Iron
2	Disc	AISI 304 Stainless Steel
3	Seat	EPDM -30°C to + 130°C NBR -20°C to + 110°C
4	Body	Epoxy Coated Ductile Iron
5	Disc	AISI 316 Stainless Steel
6	Seat	Viton -10°C to + 140°C PTFE on EPDM -10°C to + 120°C



PERFORMANCE

MODEL	HQ008	HQ015	HQ020	HQ030	HQ050	HQ060	HQ080	HQ120
TORQUE(Nm)	80	150	200	300	500	600	800	1200
SPEED 90° 50/60Hz	16/13	25/21	25/21	31/26	31/26	31/26	34/28	34/28
CURRENT 110/1/50	1.1	1.65	1.67	1.86	3.62	3.62	4.1	4.2
(A) 220/1/50	0.55	0.88	0.89	0.92	1.58	1.62	2.2	2.35
MAX 380/3/50	N/A	0.31	0.31	0.35	0.59	0.6	0.85	0.87
WEIGHT	7.4	16.6	16.6	22	23	23	29	29
MAX.SQ.DRIVE	17	19	19	30	30	30	40	40