



Electric Actuated PN16 Wafer Butterfly Valve

- Manual Override
- Anti Condensation Heaters
- Limit Switches
- 1 1/2" to 12" to fit PN6/10/16, ANSI 150, Table D/E Flanges
- Larger Sizes Available 14" to 24" to fit PN10 Flanges



Description

A powerful electric actuated butterfly valve that fits between flanges for on / off automation. This general purpose wafer butterfly valve can be fitted with EPDM or NBR liner options. Stainless steel disc and shaft is fitted as standard. Fitted to an electric quarter turn actuator with supply voltages of 230V, 110V & 24 VAC - 24 VDC Suitable to fit in between flanges

PN6/10/16, ANSI 150, Table D/E



Beschreibung

Eine starke elektrische betätigte Drosselklappe, die für die Ein- / Aus- Automatisierung zwischen Flanschen passt. Dieser Allzweck-Wafer Drosselklappe kann mit EPDM oder NBR-Liner Optionen ausgestattet werden. Scheibe aus rostfreiem Stahl und Welle ist serienmäßig eingebaut. Ausgestattet mit einem elektrischen Schwenkantrieb mit Versorgungsspannungen von 230 V, 110 V und 24 VAC - 24 VDC geeignet zwischen Flanschen passen

PN6 / 10/ 16 ANSI 150 , Tabelle D / E



Descripción

Un potente eléctrico válvula de mariposa de accionamiento que se coloca entre las bridas para encendido / apagado de automatización. Esta válvula de mariposa general propósito oblea puede ser equipado con EPDM o NBR opciones de revestimiento. disco de acero inoxidable y el eje está equipado de serie. Montado en un actuador eléctrico de cuarto de vuelta con tensiones de alimentación de 230V, 110V y 24 V - 24 V CC adecuados de situarse entre las bridas

PN 6 / 10 / 16, ANSI 150 , Tabla D / E



Description

Un électrique puissant vanne papillon actionné qui convient entre les brides de marche / arrêt automatization. Cette vanne générale papillon fin de plaquette peut être équipé d'EPDM ou NBR options de revêtement. disque en acier inoxydable et de l'arbre est monté en standard. Equipé d'un actionneur quart de tour électrique avec des tensions d'alimentation de 230V, 110V et 24 VAC - 24 VDC Convient à insérer entre brides

PN6 / 10/16 , ANSI 150 , Tableau D / E

DESCRIPTION

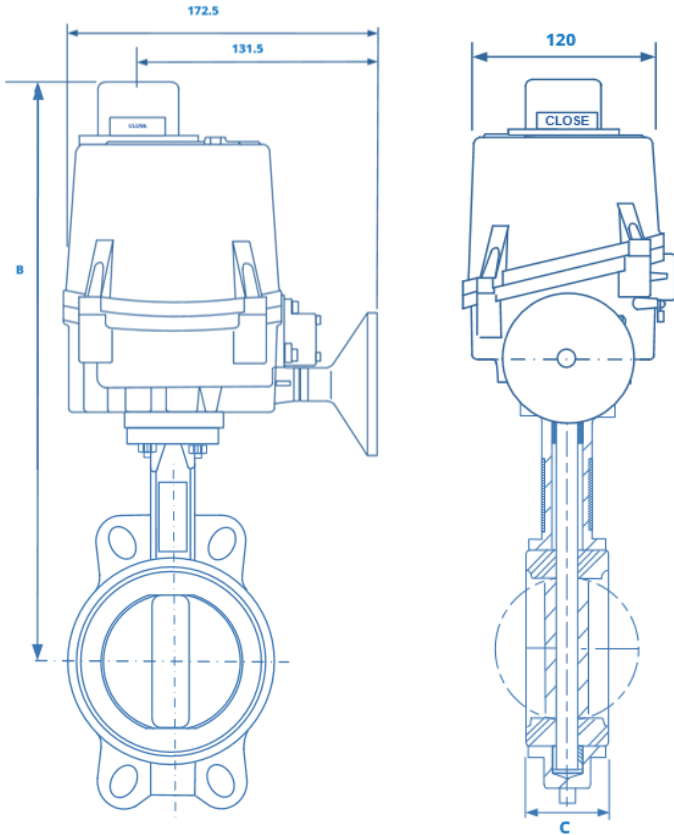
A general purpose wafer butterfly valve, cast iron body, epoxy coated with a stainless steel disc and shaft. Liner options are offered in EPDM or NBR. Rated PN16 up to 12" and PN10 for 14" and above, Complies with 97/23/CE (PED) Directive CE 1115. The valve has an ISO 5211 top work for direct mounting onto our HQ Electric actuators, which are IP65 Protected and have various supply power options. The actuator has switches fitted as standard. In addition all actuators have wiring diagrams in the lid.

TOP TIP

EPDM is not compatible with media that includes fats, is Petroleum based or has mineral oils. For resistance compatibility please contact our sales department.

[View Product Online](#)

[Click Here](#)



2" - 4" Valve Fitted with
HQ005
Part Number AP9011

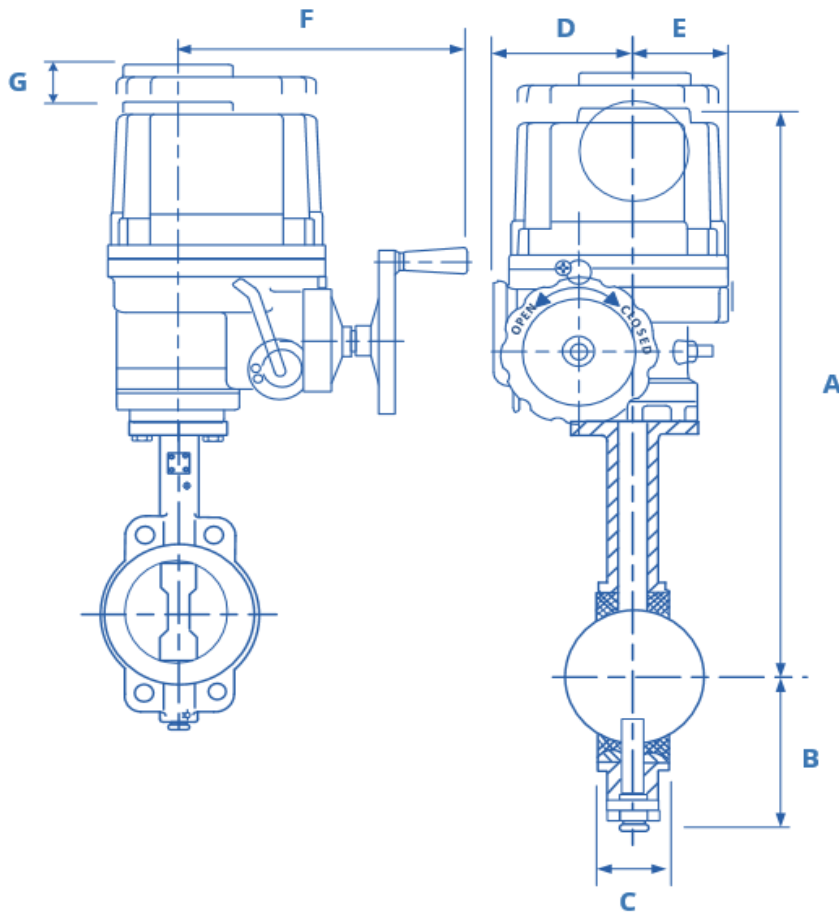
Dimensions									Operating Time	Weight
Valve	Actuator	A	B	C	D	E	F	G	Seconds	Kg
2"	HQ005	308	64	43	SEE ABOVE				13	5.6
2 1/2"	HQ005	315	70	46					13	6.6
3"	HQ005	332	84	52					13	6.6
4"	HQ005	352	95	56					13	7.6
5"	HQ008	428	114	58	100	70	208	120	16/13	13
6"	HQ015	469	131	60	142	87	265	160	25/21	24
8"	HQ020	512	155	60	142	87	265	160	25/21	31
10"	HQ030	561	187	68	160	99	286	180	31/26	44
12"	HQ050	614	220	78	160	99	286	180	31/26	55

Standard Actuator Specification for HQ005

Enclosure	:	Weatherproof IP67
Power Supply	:	85 - 265 VAC 1 ph, 50/60Hz / 24 VAC/DC
Operating Time	:	90° - 30 seconds
Limit Switches	:	4 x SPDT, 250V AC 10A (2 std. & 2 additional)
Space Heater	:	2W Anti Condensation
Manual Override	:	Handwheel Declutchable
Duty Cycle (on/offduty)	:	S4, 70% (average load of 80% for Max. torque) S2, 50% (average load of 80% for Max. torque)
Travel Angle	:	330°
Conduit Entries	:	2 x M20
Ambient Temperature	:	-20 °C to + 80 °C
External Coating	:	Dry Powder, Polyester

PERFORMANCE

MODEL	HQ005
TORQUE(Nm)	50
SPEED 90° 50/60Hz	13
CURRENT 110/1/50	0.1A
(A) 220/1/50	0.05A
24 VAC/DC	0.8 A
WEIGHT	2.6
MAX.SQ.DRIVE	14
ISO 5211 mtg. base	F03, F04, F05, F07



5"- 12" Valve Fitted with
HQ008 - HQ050
AP9016

Dimensions

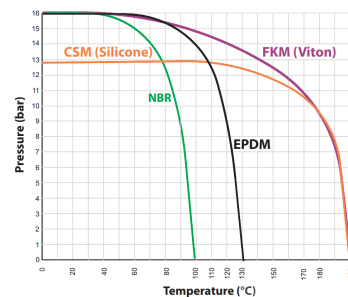
Dimensions									Operating Time	Weight
Valve	Actuator	A	B	C	D	E	F	G	Seconds	Kg
5"	HQ008	428	114	58	100	70	208	120	16/13	13
6"	HQ015	469	131	60	142	87	265	160	25/21	24
8"	HQ020	512	155	60	142	87	265	160	25/21	31
10"	HQ030	561	187	68	160	99	286	180	31/26	44
12"	HQ050	614	220	78	160	99	286	180	31/26	55

Actuator Specification for HQ008/HQ0120

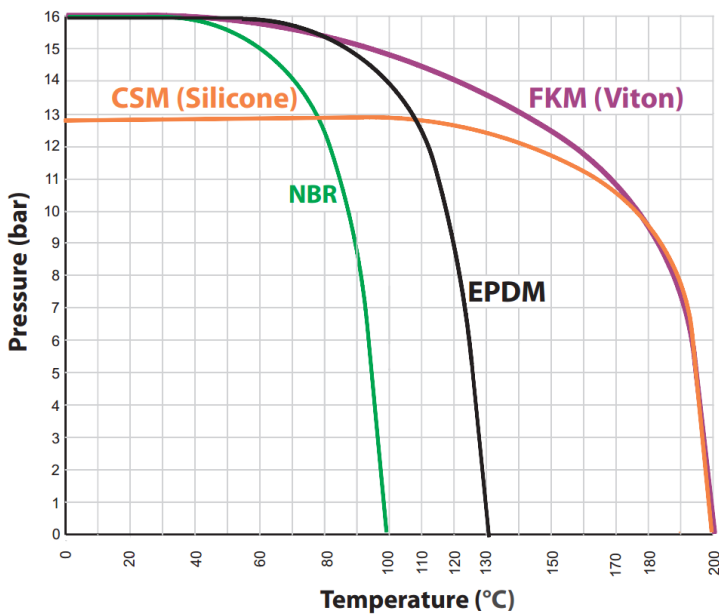
Enclosure	Weaterproof IP67
Power Supply	110/220V 1PH, 24 VAC/VDC, 380/440 AC 3PH
Operating Time	see hart
Limit Switches	4 x SPDT, 250V AC 10A
Space Heater	210W (110/240V AC) Anti Condensation Heater
Manual Override	Handwheel
Duty Cycle	S4, 70% standad, 100% for Max 30 mins
Travel Angle	90°
Conduit Entries	2 x M25 (PG13.5 or 1/2" NPTOption)
Ambient Temperature	minus 20° C to + 70° C
External Coating	Dry Powder, Polyester

PERFORMANCE

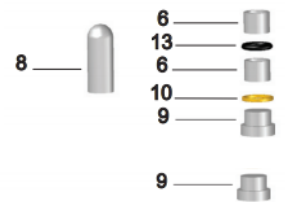
MODEL	HQ008	HQ015	HQ020	HQ030	HQ050	HQ060	HQ080	HQ120
TORQUE(Nm)	80	150	200	300	500	600	800	1200
SPEED 90° 50/60Hz	16/13	25/21	25/21	31/26	31/26	31/26	34/28	34/28
CURRENT 110/1/50	1.1	1.65	1.67	1.86	3.62	3.62	4.1	4.2
(A) 220/1/50	0.55	0.88	0.89	0.92	1.58	1.62	2.2	2.35
MAX 380/3/50	N/A	0.31	0.31	0.35	0.59	0.6	0.85	0.87
WEIGHT	7.4	16.6	16.6	22	23	23	29	29
MAX.SQ.DRIVE	17	19	19	30	30	30	40	40



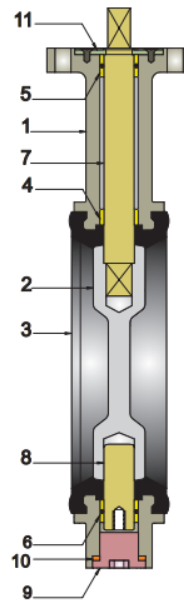
All information is sourced from our manufacturer's data and is intended for guidance only - Valves Online can accept no liability for changes, omissions or errors.



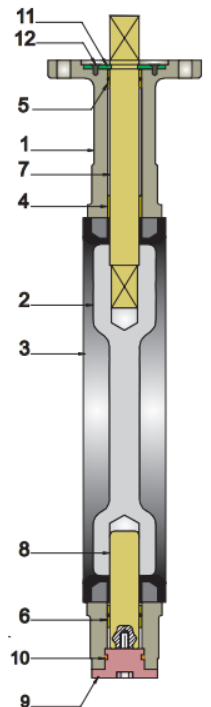
Design Standards	Design Standard	EN 558 Series 20 (DIN3202-K1)
		ISO5752 Series 20
		API609 Table 1
		BS5155 Series 4
	Flange Standard	EN1092 PN 6/10/16
		ANSI B 16.5 Class 150
	Top Flange Standard	ISO5211
	Leakage Test Standard	EN12266-1/2
		ISO5208, Category 3
		API 598 Table 5
	ANSI B16-104, Class VI	
Working Pressure	Max 16 bar	
Differential Pressure	Δp 16 bar	
Vacuum	Max 0.2 bar relative pressure	



Part No	Part Name	Available Material
1	Body	Rilsan Coated GG25 Cast Iron
		Rilsan Costed GGG40 Ductile Iron
		AISI304 Stainless Steel
		AISI316 Stainless Steel
2	Disc	AISI316 Stainless Steel
		Rilsan Coated GGG40 Ductile Iron
		Aliminum Bronze
		ETFE Coated AISI316 Stainless Steel
3	Seat	EPDM (-30° C ~ +130° C)
		NBR (-20° C ~ +110° C)
		Silicon (-30° C ~ +200° C)
		Viton (-15° C ~ +200° C)
4/5/6	Bushing	Bronze / PTFE
7	Upper Stem	AISI420 Stainless Steel
		AISI316 Stainless Steel
8	Low Stem	AISI3420 Stainless Steel
		AISI316 Stainless Steel
9	Cap	Carbon Steel
10	O-Ring	NBR
11	Stopper Plate	Carbon Steel
12	Screw	Stainless Steel
13	O-Ring	NBR/Viton



DN25-300
Sizes



DN350-1200
Sizes

All information is sourced from our manufacturer's data and is intended for guidance only - Valves Online can accept no liability for changes, omissions or errors.