





SKU: PA5260

-  VOLT Pneumatic Actuated Wafer Pattern Butterfly Valve
-  VOLT Pneumatische betätigte Wafer Muster Absperrklappe
-  VOLT La válvula de mariposa del patrón de accionamiento neumático oblea
-  VOLT Motif pneumatique Actionné Wafer vanne papillon

**Valves**<sup>™</sup>  
O N L I N E

- 2" - 12" Pneumatic Spring Return & Double Acting Butterfly Valve
- 2" - 12" pneumatische Feder & Double Acting Absperrklappe
- 2" - 12" neumático de retorno por resorte y la válvula de mariposa doble acción
- 2" - 12" Pneumatique à ressort de rappel et double vanne papillon par intérim

## Pneumatic Actuated Butterfly Valve



- Double and Single Acting Pneumatic Actuator
- High flow rate
- Wafer Pattern to fit between PN10, 16, ANSI 150, Table D & E Flanges

A general purpose spring return and double acting pneumatically operated wafer pattern butterfly valve. Epoxy coated ductile iron body with stainless steel disc and shaft and EPDM or BUNA (Nitrile) liner. Suitable to fit between PN10/16 and ANSI 150 flanges.

The pneumatic quarter turn rack and pinion actuator is designed for process and industrial use and has been sized with 30% safety factor and requires a pilot pressure of 5.5 bar. The actuator has Namur interface for both pilot solenoid valve and switchbox.

#### Typical Applications:

Used for general purpose and water applications.  
Easy to Maintain, Reliability - Robustness, High Duty cycle.

### LINER OPTIONS

- EPDM to 130°C
- NBR to 110°C



#### Description

A strong and efficient pneumatic actuated butterfly valve. Wafer pattern and suitable to fit in between flanges PN6/10/16, ANSI 150, Table D/E. Supplied with a choice of soft seat liners EPDM or NBR with stainless steel disc and shaft. The pneumatic actuator has interface for fitting solenoid and switchbox, it can be supplied in either double acting or spring return configuration. Actuator fitted with position indicator and end stops, manufactured from aluminium having a hard anodised finish, designed to the latest ISO/NAMUR standards and are ATEX approved.



#### Beschreibung

Eine starke und effiziente pneumatisch betätigte Drosselklappe. Zwischenbauausführung und geeignet zwischen Flanschen passen PN6 / 10 / 16 ANSI 150, Tabelle D / E. Ausgestattet mit einer Auswahl an weichen Sitz Auskleidungen EPDM oder NBR mit Edelstahlscheibe und Welle. Der pneumatische Antrieb verfügt Schnittstelle für den Einbau Magnet und Schaltbox, kann es entweder doppelwirkend oder mit Federrück Konfiguration geliefert werden. Antrieb montiert mit Positionsanzeige und Anschläge, hergestellt aus Aluminium mit einer harten eloxiert mit, entworfen, um den neuesten ISO / NAMUR -Standards und sind ATEX zugelassen.







#### Descripción

Un accionamiento neumático válvula de mariposa fuerte y eficiente. patrón de la oblea y adecuado para encajar entre las bridas PN 6 / 10 / 16, ANSI 150, Tabla D / E. Se suministra con una selección de revestimientos blandos de EPDM o NBR de seguridad con disco de acero inoxidable y el eje. El actuador neumático tiene una interfaz para el solenoide apropiado y caja de distribución, puede ser suministrado en cualquier configuración de doble efecto o de retorno por resorte. Actuador equipado con paradas indicador de posición y final, fabricado a partir de aluminio con un acabado anodizado duro, diseñada con las últimas normas ISO / NAMUR y están aprobados ATEX.



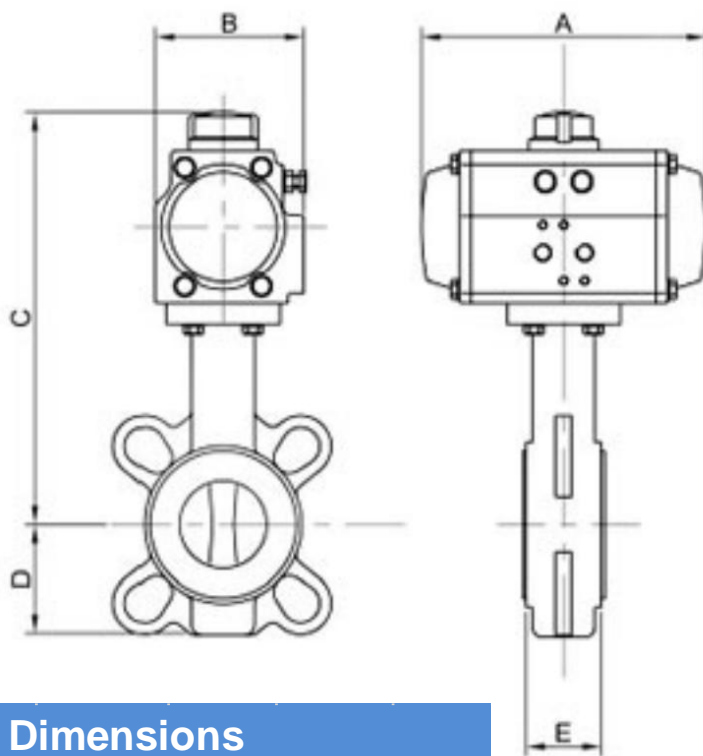
#### Description

Un pneumatique actionné valve forte et efficace de papillon. motif Wafer et apte à insérer entre brides PN6 / 10/16, ANSI 150, Tableau D / E. Livré avec un choix de doux revêtements de siège EPDM ou NBR de disque en acier inoxydable et de l'arbre. L' actionneur pneumatique possède une interface pour électroaimant montage et switchbox, il peut être fourni soit à double effet ou la configuration de retour du printemps. Actionneur équipé d' indicateur de position et de fin des arrêts, fabriqué à partir d' aluminium ayant un fini anodisé dur, conçu pour les dernières normes ISO / NAMUR et sont ATEX.

-  VOLT Pneumatic Actuated Wafer Pattern Butterfly Valve
-  VOLT Pneumatische betätigte Wafer Muster Absperrklappe
-  VOLT La válvula de mariposa del patrón de accionamiento neumático oblea
-  VOLT Motif pneumatique Actionné Wafer vanne papillon

### Pneumatic Actuated Butterfly Valves

Volt – PA5260 Series actuated butterfly valves are designed to meet the demanding needs of today's process flow requirements. Volt actuated valve packages are strictly inspected during assembly and each unit is 100% tested before delivery.



#### Spring Return - Dimensions

VALVE	ACTUATOR	A	B	C	D	E
2" (50mm)	HP63S	163	85	233	63	43
2 1/2" (65MM)	HP66S	202	85	240	69	46
3" (80mm)	HP75S	210	96	274	78	46
4" (100mm)	HP88S	247	108	306	106	52
5" (125mm)	HP100S	268	123	329	115	56
6" (150mm)	HP115S	316	141	362	128	56
8" (200mm)	HP145S	414	172	447	160	60
10" (250mm)	HP160S	467	190	484	190	68
12" (300mm)	HP180S	497	206	551	235	78

#### Double Acting - Dimensions

VALVE	ACTUATOR	A	B	C	D	E
2" (50mm)	HP50D	144	72	219	63	43
2 1/2" (65MM)	HP50D	144	72	226	69	46
3" (80mm)	HP63D	163	85	257	78	46
4" (100mm)	HP66D	202	85	277	106	52
5" (125mm)	HP75D	210	96	305	115	56
6" (150mm)	HP88D	247	108	332	128	56
8" (200mm)	HP115D	316	141	404	160	60
10" (250mm)	HP125D	347	151	437	190	68
12" (300mm)	HP145D	414	172	509	235	78

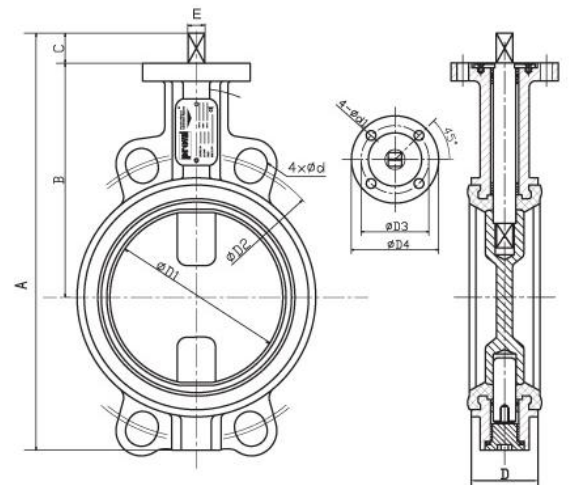
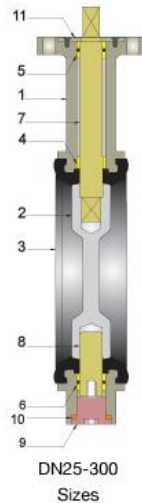
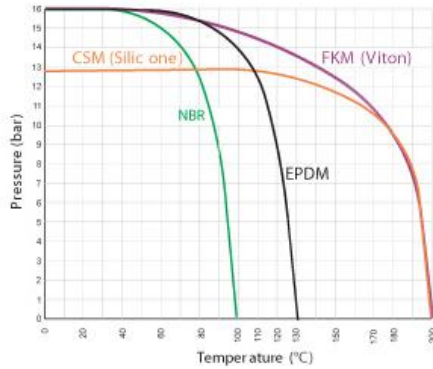
Dimensions shown are for guidance only



VOLT Pneumatic Actuated Wafer Pattern Butterfly Valve  
 VOLT Pneumatische betätigte Wafer Muster Absperrklappe  
 VOLT La válvula de mariposa del patrón de accionamiento neumático oblea  
 VOLT Motif pneumatique Actionné Wafer vanne papillon

# Valves™ ONLINE

## Pneumatic Actuated Butterfly Valves



Part No.	Name	Material
1	Body	Rilsan Coated GG25 Cast Iron
2	Disc	AISI316 Stainless Steel
3	Seat	EPDM (-30°C - +130°C)
		NBR (-20°C - +110°C)
4, 5, 6	Bushing	Bronze PTFE
7	Shaft up	Stainless steel
8	Shaft low	Stainless steel
9	Cap	Carbon Steel
10	O Ring	NBR (-20°C - +110°C)

DIMENSIONS			
	A	B	D
50	205	126	43
65	218	133	46
80	244	150	46
100	295	170	52
125	321	181	56
150	349	196	56
200	428	238	60
250	487	258	68

Technical - Actuator	
Body material	Hard anodised extruded aluminium alloy
End Caps	Die cast aluminium epoxy coated
Spring	High tensile steel
Indicator	Open/Closed
Pinion shaft	Alloy steel nickle plated
Pinion Guides	Self Lubricating Polypropylene + GF
Piston seals	NBR steel
Specification	
Pressure range	10 Bar
Double acting	2.5 Bar - 8 Bar pilot pressure
Single acting	2.5 Bar - 8 Bar pilot pressure
Temperture range	minus 20°C - 80°C
Movement	90 Degree adjustable -5-+5 Degree
Lubrication	All moving parts are lubricated
Cycle Life	1,000,000 operations
Approvals	EX, ATEX, CE, PED

Standard Specification		
	Actuator	Valve
Pressure	5.5 to 8 Bar	Maximum 16 Bar
Temperature	-20° to 80°C	-10 to 120°C
Liner	EPDM	
Disc	316 SS	



VOLT Pneumatic Actuated Wafer Pattern Butterfly Valve  
 VOLT Pneumatische betätigte Wafer Muster Absperrklappe  
 VOLT La válvula de mariposa del patrón de accionamiento neumático oblea  
 VOLT Motif pneumatique Actionné Wafer vanne papillon

## Pneumatic Actuated Butterfly Valves

- Powerful quarter turn rack and pinion actuator
- Single acting (spring close or open)
- Double acting
- Namur interfaces

Rack & Pinion pneumatic actuators are specifically designed for use with quarter-turn valves. The wide torque range ensures that our actuators match the operational characteristics of plug, ball or butterfly valves; or any device requiring precise and reliable 90° rotary motion.

Our pneumatic actuators offer a unique design, are constructed of high quality material and undergo 100% pressure, leak and rotation testing before despatch. The Result? An actuator, which will stand up to the most severe service conditions, and provide you with a reliable and cost effective means of valve operation.



### Technical - Actuator

Body material	Hard anodised extruded aluminium alloy
End Caps	Die cast aluminium epoxy coated
Spring	High tensile steel
Indicator	Open/Closed
Pinion shaft	Alloy steel nickle plated
Pinion Guides	Self Lubricating Polypropylene + GF
Piston seals	NBR steel
<b>Specification</b>	
Pressure range	10 Bar
Double acting	2.5 Bar - 8 Bar pilot pressure
Single acting	2.5 Bar - 8 Bar pilot pressure
Temperature range	minus 20°C - 80°C
Movement	90 Degree adjustable -5-+5 Degree
Lubrication	All moving parts are lubricated
Cycle Life	1,000,000 operations
Approvals	EX, ATEX, CE, PED

**SELECT YOUR  
PERFECT VALVE**

