



Description

An economic automatic, on off pneumatic ball valve, offering a compact and lightweight combination of pneumatic actuator and 2 way Brass WRAS Approved ball valve.

The pneumatic actuators are manufactured from aluminium and have a hard anodised finish. Position indicator, end of stroke adjustment ($\pm 5^\circ$) and Namur interface are fitted as standard. The Brass ball valves are screwed BSPP female ends and suitable for drinking and potable water. The valve and actuator fit directly onto each other so no mounting kit is required, thus making the package more compact and cost effective.

WRAS Approved Pneumatic Actuated Brass Ball Valve

- Brass Body and Screwed BSPP
- WRAS Approved PTFE Filled Seats.
- Spring Return or Double Acting Versions
- Temperature up to 95°C
- Up to 40 Bar
- Valve sized at 5.5 Bar Pilot Pressure
- Offers Economy and Long Life



Description

1/2" - 2" WRAS Approved direct mount, full bore ball valve. Pneumatically actuated for automatic on / off applications, with a choice of spring return or double acting actuator. The ball valve is in brass with a hard chromed ball and PTFE seats. Screwed BSPP with the addition of a footplate which allows direct mounting



Beschreibung

1/2" - 2" . WRAS Approved Direktmontage , Ventil volle Bohrung Kugel Pneumatisch für die automatische Betätigung auf Anwendungen / Aus, mit einer Auswahl von Federrückstellung oder doppelwirkender Antrieb Der Kugelhahn aus Messing mit einem hartverchromten Ball und PTFE- Sitze ist . . Screwed BSPP mit der Zugabe einer Fußplatte , die direkte Montage erlaubt



Descripción

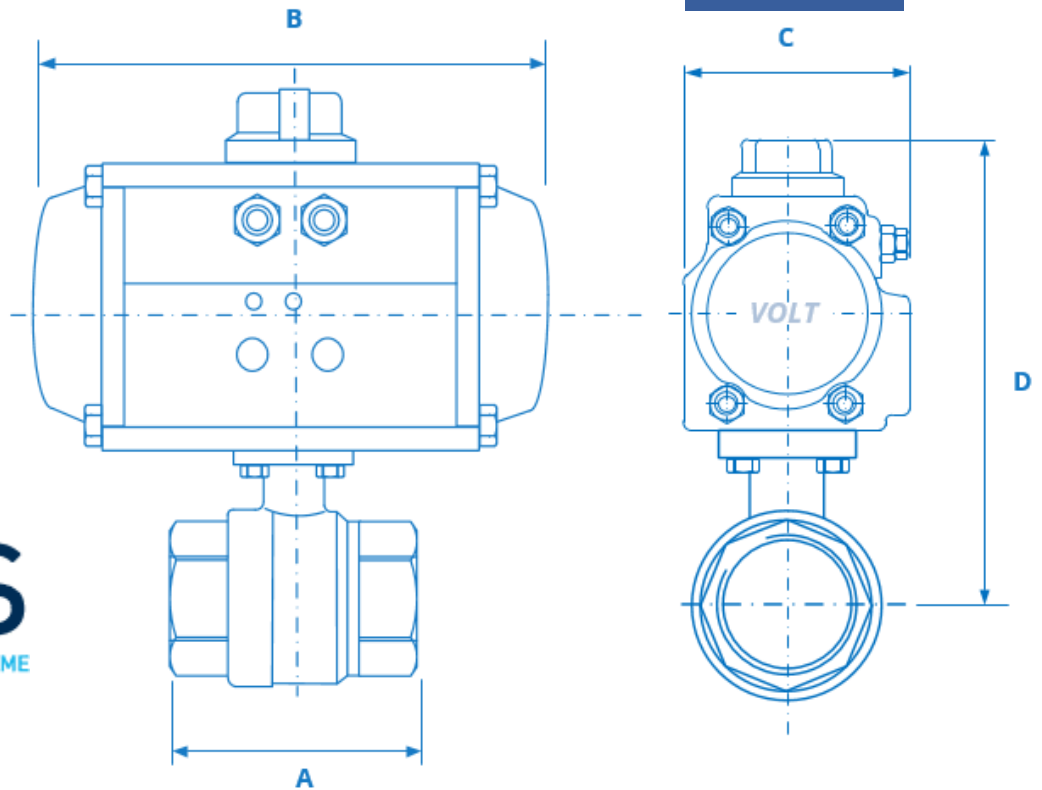
1/2" - 2" . WRAS aprobado montaje directo , válvula de bola con interior de accionamiento neumático para automático de aplicaciones todo / nada , con una opción de retorno por muelle o actuador de doble efecto La válvula de bola es de latón con un disco asientos de bola y PTFE cromadas. . atornillado BSPP con la adición de un reposapiés que permite el montaje directo



Description

1/2" - 2" . WRAS Approved Direktmontage , Ventil volle Bohrung Kugel Pneumatisch für die automatische Betätigung auf Anwendungen / Aus, mit einer Auswahl von Federrückstellung oder doppelwirkender Antrieb Der Kugelhahn aus Messing mit einem hartverchromten Ball und PTFE- Sitze ist . . Screwed BSPP mit der Zugabe einer Fußplatte , die direkte Montage erlaubt





Dimensions for Double Acting

Valve	Double Acting	A	B	C	D	Weight kg
1/4"	HPD50	65	144	72	122	1.5
3/8"	HPD50	65	144	72	122	1.47
1/2"	HPD50	59	144	72	122	1.54
3/4"	HPD50	69	144	72	125	1.64
1"	HPD50	83	144	72	129	1.87
1 1/4"	HPD50	94	144	72	134	2.1
1 1/2"	HPD50	102	144	72	150	2.12
2"	HPD50	124	144	72	157	3.12
2 1/2"	HPD63	165	202	85	197	4.68
3"	HPD63	188	202	85	207	7.58

Dimensions for Spring Return

Valve	Spring Return	A	B	C	D	Weight kg
1/4"	HP50S	65	144	72	122	1.5
3/8"	HP50S	65	144	72	122	1.47
1/2"	HP50S	59	144	72	122	1.54
3/4"	HP50S	69	144	72	125	1.64
1"	HP50S	83	144	72	129	1.87
1 1/4"	HP50S	94	144	72	134	2.1
1 1/2"	HP63S	102	163	85	164	2.64
2"	HP63S	124	163	85	171	3.64
2 1/2"	HP66S	165	202	85	197	7.4
3"	HP66S	188	202	85	207	8.3

Technical - Actuator

Body material	Hard anodised extruded aluminium alloy
End Caps	Die cast aluminium epoxy coated
Spring	High tensile steel
Indicator	Open/Closed
Pinion shaft	Alloy steel nickle plated
Pinion Guides	Self Lubricating Polypropylene + GF
Piston seals	NBR steel
Specification	
Pressure range	10 Bar
Double acting	2.5 Bar - 8 Bar
Single acting	2.5 Bar - 8 Bar
Temperture range	minus 20°C - 80°C
Movement	90 Degree adjustable -5-+5 Degree
Lubrication	All moving parts are lubricated
Cycle Life	1,000,000 operations
Approvals	EX, ATEX, CE, PED

Technical - Valve

Body Material	Brass nickel plated
Ball	Brass chrome plated
Seat	PTFE
Stem	Brass
O Ring	Viton
Specification	
Pressure range	1/4"- 2 1/2" 40 bar, 3" 25 bar,
Temperture range	-20°C + 120°C
Movement	90 Degree adjustable -5°-+ 5°
Connection	Screwed BSPP
ISO Top	ISO 5211