



Brass / Bronze Spring Pressure Relief Valve – PTFE Seat and Test Lever

- Screwed BSPP Female Inlet and Outlet
- Test Lever
- Can be Calibrated
- Test Cert on Request
- Maximum Pressure 12 Bar

Description

A Brass/Bronze spring relief valve. Cost effective yet reliable. Maximum pressure up to 12 Bar. The spring range covers between 0.1 to 10 bar and is suitable for temperatures not exceeding 180°C. The valve is compact in size and is fitted with a test lever.

This valve if used on fluid media may pass through the stem

Spring Ranges

Size	Spring Ranges (Bar)		
1/2"	0.1 - 2.0	2.0 - 5.0	5.0 - 10*
3/4"	0.1 - 2.0	2.0 - 5.0	5.0 - 10*
1"	0.1 - 2.0	2.0 - 5.0	5.0 - 10*
1 1/4"	0.1 - 2.0	2.0 - 5.0	5.0 - 10*
1 1/2"	0.1 - 2.0	2.0 - 5.0	5.0 - 10*
2"	0.1 - 2.0	2.0 - 5.0	5.0 - 10*

* Plus Tolerance

Select the size then the colour of your required range



Description

A cost effective pressure relief valve, manufactured from Brass and Bronze. Max 12 Bar pressure. Offered in three spring ranges and has the additional function of a test lever. Valve can be calibrated on request. BSPP Female inlet and outlet ports.



Beschreibung

Ein kostengünstiges Druckbegrenzungsventil, hergestellt aus Messing und Bronze. Maximaler Druck von 12 bar. Wird in drei Federbereichen angeboten und hat die zusätzliche Funktion eines Prüfhebels. Ventil kann auf Anfrage kalibriert werden. BSPP Weibliche Einlass- und Auslassanschlüsse.



Descripción

Una válvula de alivio de presión rentable, fabricada en latón y bronce. Presión máxima de 12 bares. Se ofrece en tres rangos de resortes y tiene la función adicional de una palanca de prueba. La válvula se puede calibrar bajo pedido. Puertos de entrada y salida hembra BSPP.



Description

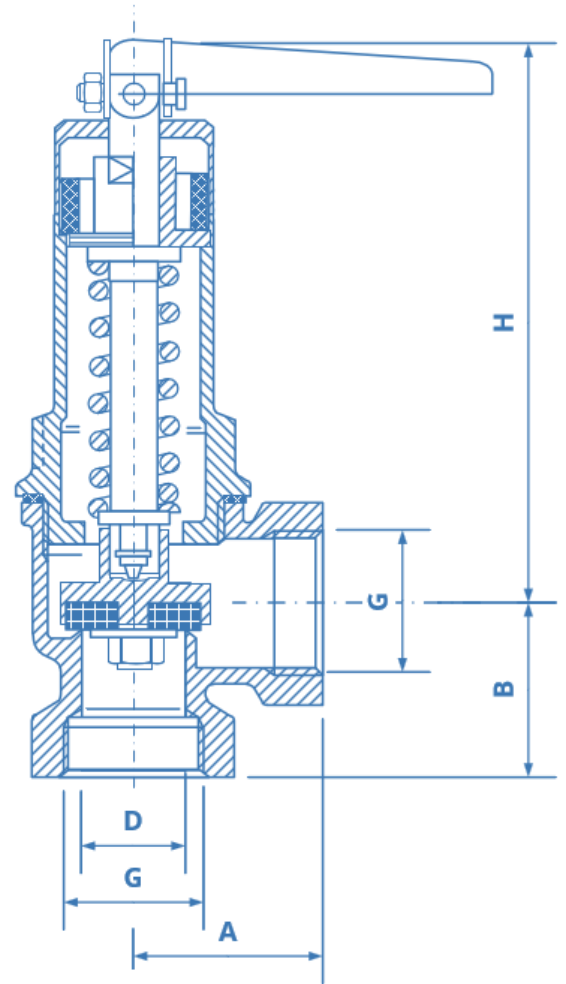
Une soupape de surpression économique, fabriquée à partir de laiton et de bronze. Pression maximale de 12 bars. Offert en trois gammes de ressorts et à la fonction supplémentaire d'un levier de test. La vanne peut être calibrée sur demande. Ports d'entrée et de sortie femelles BSPP.

DIMENSIONS

G	H	B	A	D	Kg
1/2"	122	28	30	15	0.4
3/4"	148	32	36	19	0.7
1"	165	38	47	24.5	1
1 1/4"	185	44	57	31.5	1.6
1 1/2"	207	47	62	38	2.2
2"	230	54	72	48	3.45

Material Specifications

Body	Bronze
Seal	PTFE
Spring	Stainless Steel
Internals	Brass
Bonnet	Brass
Adjusting Screw	Brass
Spring Follower	Brass
Seat Holder	Brass
Cap	Brass
Lock Nut	Brass



Screwed BSPP Female, with Test lever.

Spring Ranges to cover 0.1 Bar up to 10 Bar. All valves can be Certified and Calibrated on Request.

Spring Ranges

Size	Spring Ranges (Bar)		
1/2"	0.1 - 2.0	2.0 - 5.0	5.0 - 10*
3/4"	0.1 - 2.0	2.0 - 5.0	5.0 - 10*
1"	0.1 - 2.0	2.0 - 5.0	5.0 - 10*
1 1/4"	0.1 - 2.0	2.0 - 5.0	5.0 - 10*
1 1/2"	0.1 - 2.0	2.0 - 5.0	5.0 - 10*
2"	0.1 - 2.0	2.0 - 5.0	5.0 - 10*

* Plus Tolerance

Pressure / Temperature

Pressure	PN12
Temperature	-10°C to 180°C