





-  VOLT Stainless steel Ball Float Valve – ½" to 3"
-  VOLT Edelstahl- Kugel-Schwimmerventil - ½ "bis 3"
-  VOLT Bola de acero inoxidable Flotador Válvula - ½ "a 3 "
-  VOLT Bille en acier inoxydable robinet à flotteur - ½ "à 3"

- 1/2" - 3" Ball Float Valve Screwed BSPP in Stainless Steel
- 1/2" - 3" Kugel-Schwimmerventil Screwed BSPP in Edelstahl
- 1/2" - 3" Bola de flotador Válvula Screwed BSPP en acero inoxidable
- 1/2" - 3" Flotteur sphérique Screwed Valve BSPP en acier inoxydable



- **CF8M 316 Stainless Steel**
- **150°C**
- **BSPP Male Connection**

### Description:

ASTM A351 CF8M 316 Stainless Steel construction.

Silicon Seal. Simple "Portsmouth" pattern design. +150 Deg C temperature rated. 10 Bar/g pressure rated. Valve is supplied complete with relevant size 316 Float. BSPP ISO 228/1 Male connection c/w Back nut.

This valve is designed for simple and cost effective fluid level control within open tanks and vessels.

Other Seal Materials are available upon application.

"Non-Bubble" type Valves and Flanged options are also available on special order.

### Stainless Steel Ball Float Valve



#### Description

A full bore Ball Float Valve, Screwed BSPP supplied with mounting nut. Stainless Steel (316) throughout and is designed for simple and cost effective fluid level control in open tanks.



#### Beschreibung

Mit vollem Durchgang Kugel-Schwimmerventil , geliefert Screwed BSPP mit Befestigungsmutter . Edelstahl (316) ganz und ist für einfache und kostengünstige Flüssigkeitspegelsteuerung in offenen Behältern ausgelegt .



#### Descripción

Una bola de paso total Válvula flotador , Screwed BSPP suministra con tuerca de montaje . Acero inoxidable ( 316 ) a lo largo y está diseñado para el control de nivel de fluido simple y rentable en depósitos abiertos ..



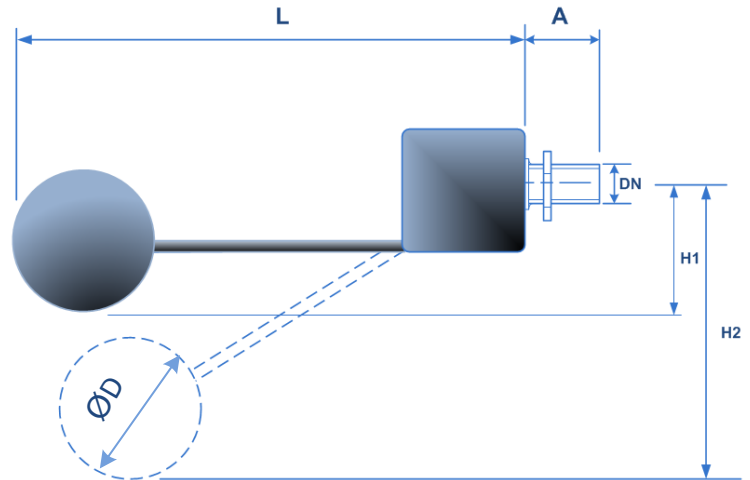
#### Description

Une boule à passage intégral Float Valve, Screwed BSPP fourni avec écrou de montage . Acier inoxydable ( 316 ) tout au long et est conçu pour un contrôle simple et le niveau de fluide rentable dans des cuves ouvertes .

-  VOLT Forged Steel Globe Valve – Class 300
-  VOLT Schmiedestahl Globe Valve - Class 300
-  VOLT Forjado válvula de globo de acero - Clase 300
-  VOLT Acier forgé Globe Valve - Classe 300

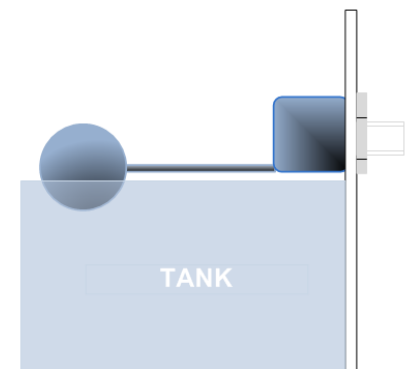
## Screwed Stainless Steel Ball Float Valve

- **CF8M 316 Stainless Steel**
- **150°C**
- **BSPP Male Connection**



Dimensions						
DN	A	L	H1	H2	ØD	Kg
3/8"	35	300	83 104	235	90	0.82
1/2"	38	410	127 180	375	110	0.98
3/4"	45	490	155 197	521	160	1.42
1"	48	585	174 220	521	160	1.68
1 1/2"	55	585	164 222	520	200	2.36
2"	63	710	253 318	651	200	4.67
2 1/2"	73	798	255 324	736	200	5.45
3"	85	805	277 390	737	300	6.75

Materials	
Valve	316 Stainless Steel
Float	316 Stainless Steel



Flow Rates l/h							
DN	1 bar	2 bar	3 bar	4 bar	6 bar	8 bar	10 bar
3/8"	1.13	1.66	1.9	2.16	2.6	2.8	3
1/2"	2.82	3.99	4.89	5.6	6.8	7.9	9
3/4"	4.83	6.84	8.37	9.7	11	14	15
1"	6.93	9.91	12.14	14	17	19.6	22
1 1/4"	10.17	15.43	19.43	23	29	34	38
1 1/2"	15.56	21.94	26.92	31	38	43	51
2"	23.68	33.86	40.97	47	57	67	75
2 1/2"	24.86	35.55	43	50	60	70	79
3"	55.86	79.01	96.7	111	136	158	173