



Pressure Reducing Valve in Stainless Steel ½" - 2"

- Screwed BSP Connections
- Stainless Steel Body
- Supplied with Pressure Gauge
- Direct Acting
- Suitable for Air and water
- Sizes ½"-2" (DN15-DN50)

Description

The VOLT Direct Acting Pressure Reducing Valve has a 316 Stainless Steel body, screwed BSP and is suitable for air and water up to 80°C at inlet pressures for water at 25 Bar and air up to 20 bar inlet. We offer sizes ranging from ½" to 2" with a choice of both seal material and pre set outlet pressure ranges. Adjustment is via threaded bolt which alters the outlet pressure.

The pressure gauge which is supplied with the valve, accurately indicates the outlet pressure.

Seal Material NBR or Viton (FKM).

Media viscosity up to 40 centistokes, and the unit can be mounted in any position.

Max. Inlet Water 25 Bar, Air 20 Bar
Outlet Pressure

- 1 - 6 Bar
- 4 - 10 Bar
- 8 - 13 Bar



Description

The PR4511 Pressure reducing valve offers performance coupled with economy. Manufactured in 316 stainless steel, in sizes from DN15-DN50, with options for seal material and preferred outlet pressures. Easy to fit and install. The unit is supplied with a robust pressure gauge, used to calibrate the outlet pressure.

Pressure Adjusting Range:
1-6 Bar, 4-10 Bar, 8-13 Bar



Beschreibung

Das Druckminderventil PR4511 bietet Leistung gepaart mit Wirtschaftlichkeit. Hergestellt aus Edelstahl 316, in Größen von DN15-DN50, mit Optionen für Dichtungsmaterial und bevorzugte Ausgangsdrücke. Einfach zu montieren und zu installieren. Das Gerät wird mit einem robusten Manometer geliefert, mit dem der Ausgangsdruck kalibriert wird. Druckeinstellbereich: 1-6 bar, 4-10 bar, 8-13 bar



Descripción

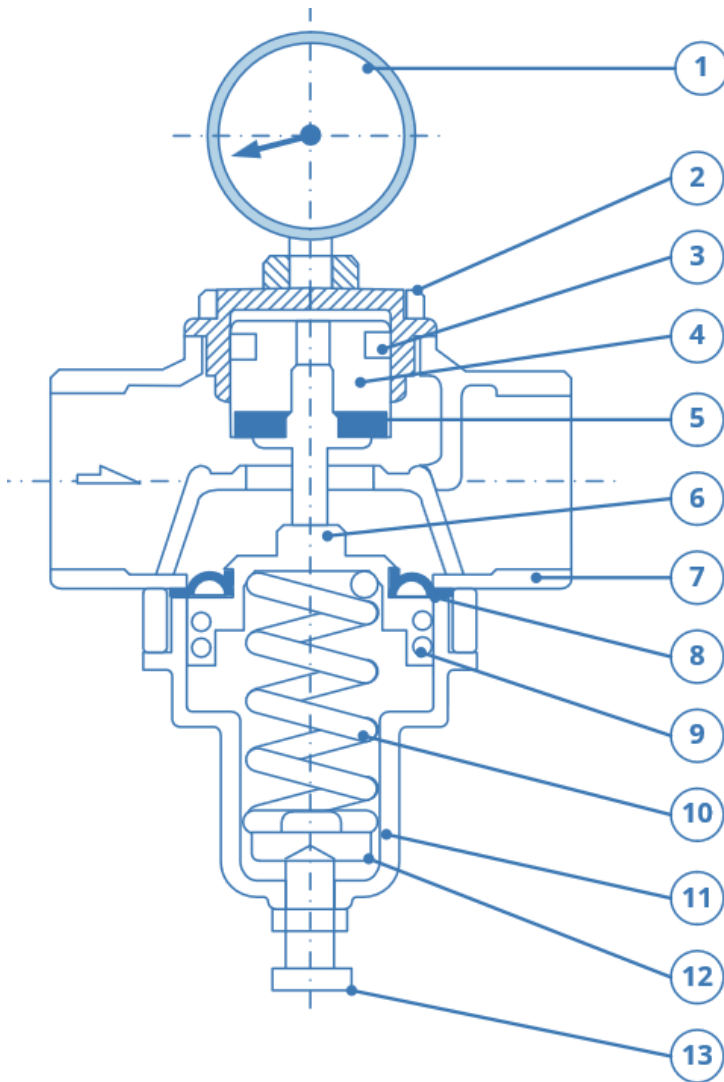
La válvula reductora de presión PR4511 ofrece rendimiento junto con economía. Fabricado en acero inoxidable 316, en tamaños desde DN15-DN50, con opciones de material de sellado y presiones de salida preferidas. Fácil de colocar e instalar. La unidad se suministra con un robusto manómetro, que se utiliza para calibrar la presión de salida. Rango de ajuste de presión: 1-6 bares, 4-10 bares, 8-13 bares



Description

Le réducteur de pression PR4511 offre des performances couplées à l'économie. Fabriqués en acier inoxydable 316, dans des tailles de DN15 à DN50, avec des options pour le matériau du joint et les pressions de sortie préférées. Facile à monter et à installer. L'unité est fournie avec un manomètre robuste, utilisé pour calibrer la pression de sortie. Plage de réglage de la pression : 1-6 bars, 4-10 bars, 8-13 bars

PR4511



Pressure Adjusting Range:

- 1 - 6 Bar
- 4 - 10 Bar
- 8 - 13 Bar

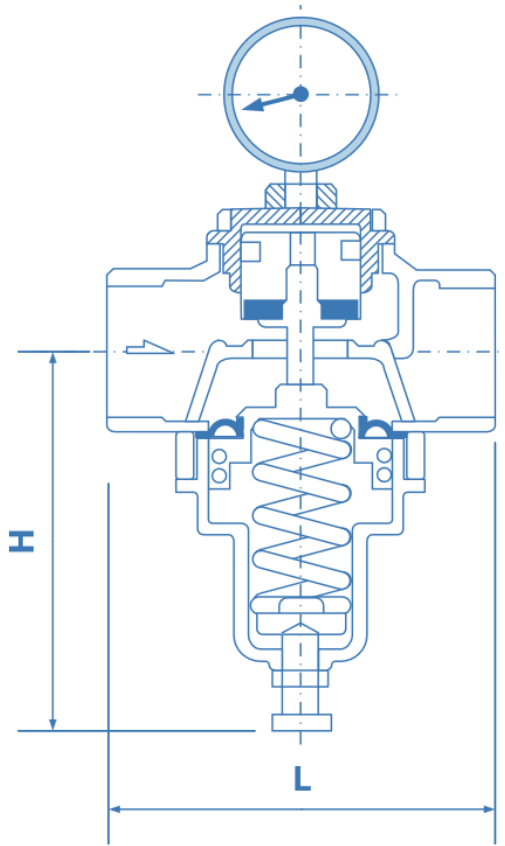
No.	Number and Description	Material
1	Gauge	Stainless Steel
2	Cover	316 Stainless Steel
3	O ring	NBR or VITON
4	Piston	316 Stainless Steel
5	Sealing Spacer	NBR or VITON
6	Shaft	316 Stainless Steel
7	Main Body	316 Stainless Steel
8	Diaphragm	NBR or VITON
9	O Ring	NBR or VITON
10	Spring	Spring Steel
11	Cover	316 Stainless Steel
12	Washer Brass	Brass
13	Adjusting Stem	304 Stainless Steel

SEAL MATERIAL	
STANDARD	NBR (80°C) FKM (80°C)
On Request	PTFE

Size	Weight Kg
1/2"	0.8
3/4"	1
1"	1.1
1 1/2"	2.2
2"	3.1

All information is sourced from our manufacturer's data and is intended for guidance only - Valves Online can accept no liability for changes, omissions or errors.

PR4511



Pressure Adjusting Range:

- 1 - 6 Bar
- 4 - 10 Bar
- 8 - 13 Bar

General Dimensions

Port	L (mm)	H (mm)	Kg
1/2"	71	75	0.8
3/4"	86	75	1
1"	90	81	1.1
1 1/2"	115	115	2.2
2"	120	115	3.1

PRESSURE

Port BSP	Flow Kv L/min	Maximum Inlet (Bar)		Part Number Outlet Adjustment Range Options (1.5 - 6), (4 - 10), (8 - 13)
		Air	Water	
1/2"	35.75	20	25	PR4511 + Seal + Pressure Range
3/4"	57.2	20	25	PR4511 + Seal + Pressure Range
1"	93	20	25	PR4511 + Seal + Pressure Range
1 1/2"	185.9	20	25	PR4511 + Seal + Pressure Range
2"	243.1	20	25	PR4511 + Seal + Pressure Range

SEAL MATERIAL

STANDARD	NBR (80°C)
	FKM (80°C)
On Request	PTFE

Notes

Pressure Gauge Displays Outlet Pressure
 1/2" - 1" Adjustment Screw External
 1 1/2" - 2" Adjustment Screw Internal
 Pressure Test 35 Bar