

## Stainless Steel Wafer Disc Check Valve PN40

- Suitable for ANSI and EN Flanges
- Ratings PN40, Sizes ½" - 4"
- Low Pressure Drop
- All Stainless Steel
- Compact Design
- Temperatures up to + 200°C

### > Description

The CV5175 is designed to fit between flanges within the PCD of the flange bolts. This valve requires flange gaskets to be used. Because of the Metal – Metal seating, where the valve can be used for elevated temperatures. Can be used in any orientation within the pipework.

Low spring cracking pressures, stainless steel, spring loaded disc check valve is a wafer pattern. As standard it is supplied with metal to metal seat for use on steam applications, however it is suitable for a wide range of other fluids including applications in process lines, hot water systems, steam and condensate lines. The valve has an increased gasket face and has overall face to face dimensions conforming to EN 1092 and overall length according to DIN 3202 part 3-K4.

Please note wafer check valves are not suitable for use where a heavy pulsating flow exists, for instance close to a compressor etc. The valve has a low cracking pressure and can be used in vertical or horizontal orientations.

Valve is CE marked in accordance with PED 2014/68/EU

### > On request

Soft Seats: Viton



### Description

Metal seated all stainless steel disc check valve. Wafer pattern to suit ANSI150 and BS4504 DIN PN10/16/25/40 flanges. PN40 rated up to 4". Low cracking pressure, with orientation both in vertical and horizontal pipelines. Simple and compact design and well suited for many process applications.



### Beschreibung

Metallsitzende Rückschlagklappe aus Edelstahl. Wafermuster passend für ANSI150 und BS4504 DIN PN10/16/25/40 Flansche. PN40 bewertet bis 4". Niedriger Öffnungsdruck, mit Ausrichtung sowohl in vertikalen als auch in horizontalen Rohrleitungen. Einfaches und kompaktes Design und gut geeignet für viele Prozessanwendungen.



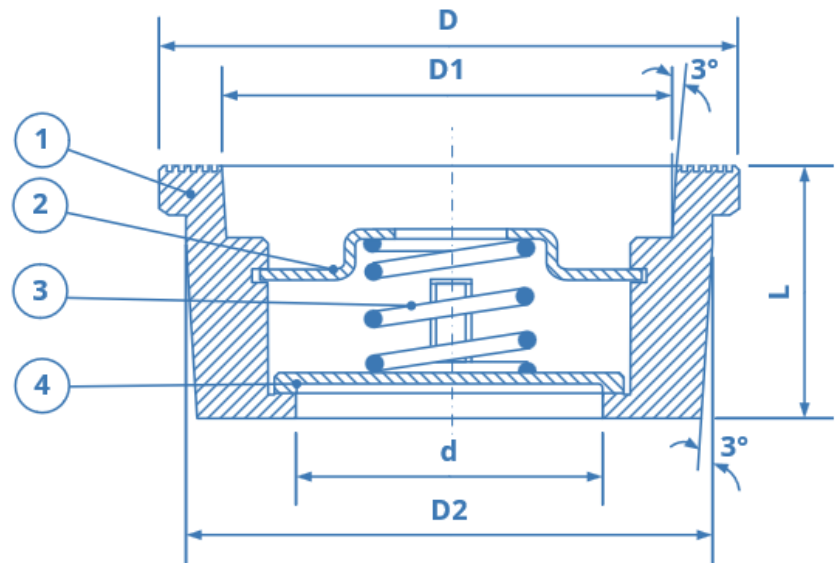
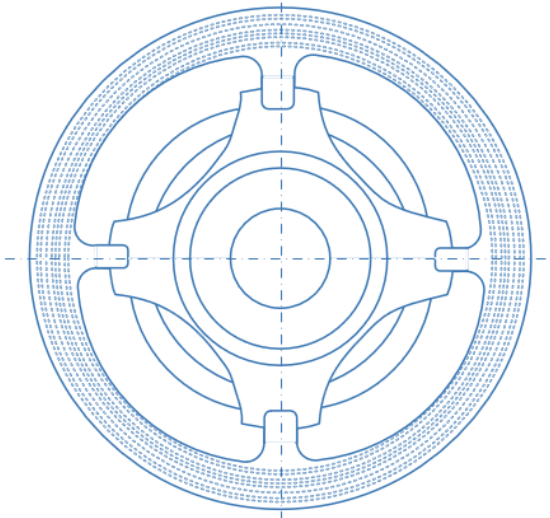
### Descripción

Válvula de retención de disco de acero inoxidable con asiento metálico. Patrón de oblea para adaptarse a bridas ANSI150 y BS4504 DIN PN10/16/25/40. PN40 clasificado hasta 4". Baja presión de apertura, con orientación tanto en tuberías verticales como horizontales. Diseño simple y compacto y muy adecuado para muchas aplicaciones de proceso.



### Description

Clapet anti-retour à disque entièrement en acier inoxydable à siège métallique. Modèle de plaquette pour convenir aux brides ANSI150 et BS4504 DIN PN10/16/25/40. PN40 évalué jusqu'à 4". Faible pression de tarage, avec orientation à la fois dans les conduites verticales et horizontales. Conception simple et compacte et bien adaptée à de nombreuses applications de processus.



### Dimensions

| Size   | d  | D   | D1    | D2  | L  |
|--------|----|-----|-------|-----|----|
| 1/2"   | 15 | 39  | 28.3  | 34  | 16 |
| 3/4"   | 20 | 46  | 35.7  | 41  | 19 |
| 1"     | 25 | 54  | 40    | 49  | 22 |
| 1 1/4" | 32 | 70  | 52.4  | 62  | 28 |
| 1 1/2" | 40 | 81  | 61    | 71  | 32 |
| 2"     | 48 | 94  | 75.4  | 85  | 40 |
| 2 1/2" | 62 | 113 | 90    | 102 | 46 |
| 3"     | 75 | 132 | 109   | 123 | 50 |
| 4"     | 95 | 150 | 125.3 | 140 | 60 |

### Minimum Opening Spring Pressures

| Size   | Vertical Upward Flow | Vertical Downward Flow | Horizontal Flow |
|--------|----------------------|------------------------|-----------------|
| 1/2"   | 25 Mbar              | 21 Mbar                | 23 Mbar         |
| 3/4"   | 25 Mbar              | 21 Mbar                | 23 Mbar         |
| 1"     | 25 Mbar              | 21 Mbar                | 23 Mbar         |
| 1 1/4" | 27 Mbar              | 21 Mbar                | 24 Mbar         |
| 1 1/2" | 29 Mbar              | 21 Mbar                | 25 Mbar         |
| 2"     | 29 Mbar              | 21 Mbar                | 25 Mbar         |
| 2 1/2" | 31 Mbar              | 21 Mbar                | 26 Mbar         |
| 3"     | 32 Mbar              | 21 Mbar                | 26 Mbar         |
| 4"     | 33 Mbar              | 21 Mbar                | 27 Mbar         |

### Item Body Material Qty

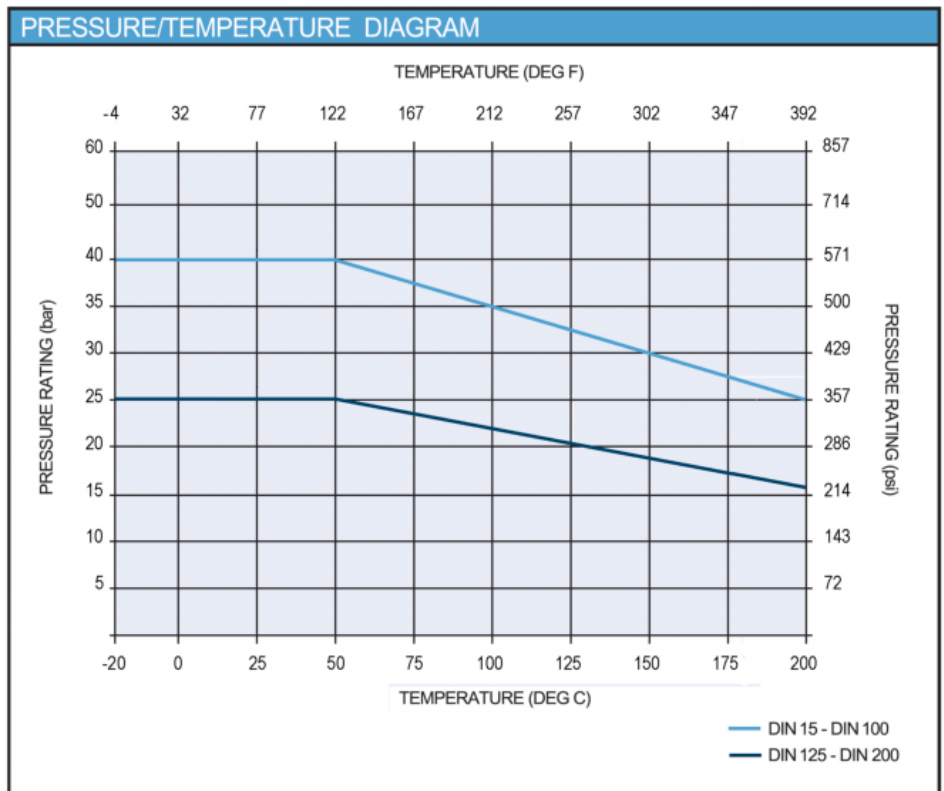
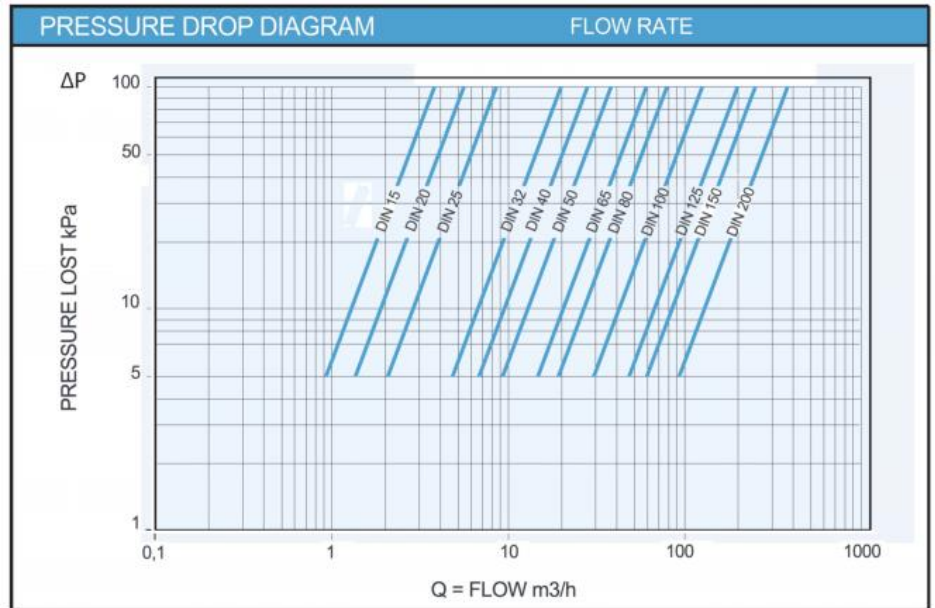
|   |              |       |   |
|---|--------------|-------|---|
| 1 | Body         | CF8M  | 1 |
| 2 | Spring Cover | SS316 | 1 |
| 3 | Spring Cover | SS316 | 1 |
| 4 | Disc         | CF8M  | 1 |



**Single Disc wafer Check Valve**  
**Investment castings for body and disc.**  
**Flanged Ends: DIN PN16/25/40 & ANSI 150.**  
**Face to Face: DIN3202-K4.**  
**Pressure Rating: PN40.**  
**Material: CF8M, CF8,CF3M.**



**Maximum Working Pressure: DN15 – DN100 PN40**  
**Maximum Working Temperature: — 20°C to + 200°C**



➤ **Other Check and Non Return Valves can be found at:-**  
<https://www.valvesonline.co.uk/manual-valves/check-valves.html>

All information is sourced from our manufacturer's data and is intended for guidance only - Valves Online can accept no liability for changes, omissions or errors.

