



Description:

Powerful yet lightweight electric actuator fitted to 2 way WRAS Approved full bore brass ball valve. suitable for Potable water and other standard process applications. The HQ005 electric actuators are specially designed for quarter turn applications such as small ball, butterfly valve and dampers. A compact design, IP65 protected with high output torques. A wide range of voltages to suit your specific requirements. High Quality electrical components and alloy gearing ensure reliability and extended life span.

WRAS
APPROVED
PRODUCT

2/2 Electric Actuated Brass Ball Valve

- 1/4" - 3" Screwed BSPP
- PTFE Filled Seats.
- Power to Open and Close
- Up to 40 Bar
- Valve sized at 5.5 Bar Pilot Pressure
- WRAS Approved for 1/4" - 2"



Description

1/4" - 3" WRAS (1/4"-2" only) Approved direct mount ball valve, electrically actuated for automatic on / off applications. The actuator is power open and power close, with the addition of limit switches, optical indication and manual override.



Beschreibung

1/4" - 3" WRAS (1/4"-2" nur) Genehmigt Direktmontage Kugelventil , elektrisch für die automatische Ein- / Aus- Anwendungen angesteuert. Der Antrieb ist Macht offen und Macht in der Nähe , mit dem Zusatz von Endschalter, optische Anzeige und manuelle Übersteuerung .



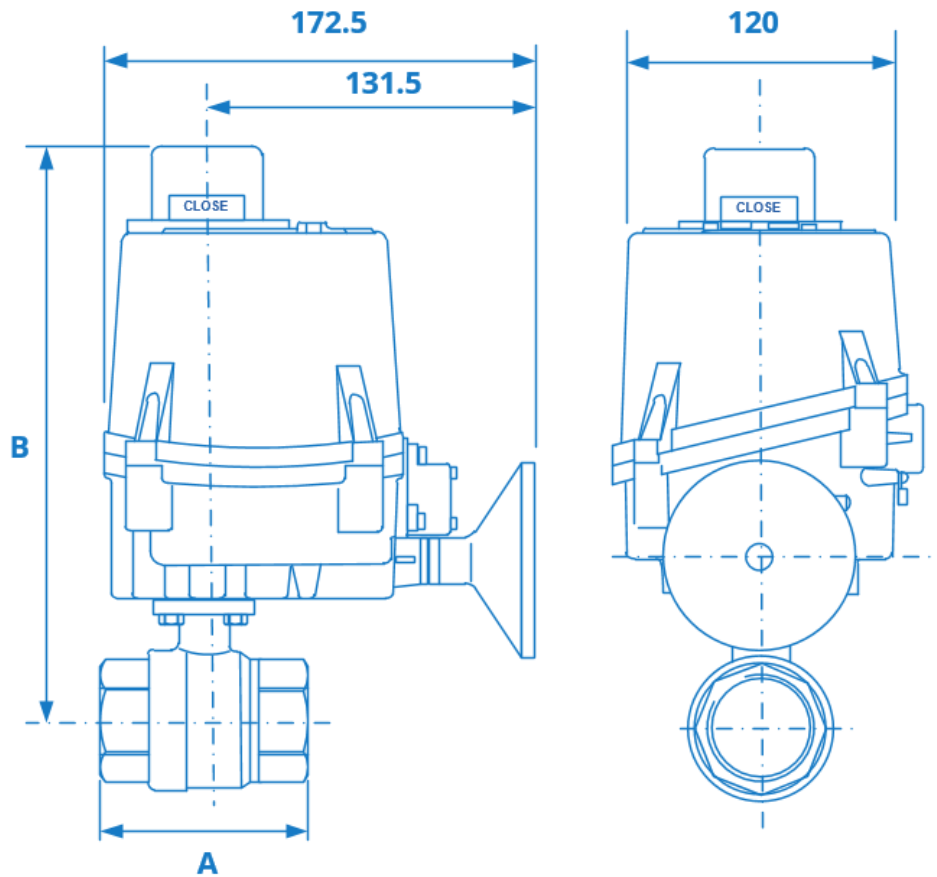
Descripción

1/4" - 3" SADA (1/4"-2" solamente) Aprobado directa montaje de válvula de bola , de accionamiento eléctrico para automático de aplicaciones todo / . El actuador es poder abrir y potencia cercano , con la adición de finales de carrera, indicación óptica y control manual .



Description

1/4" - 3" WRAS (1/4"-2" seulement) Approuvé montage direct vanne à boisseau sphérique , actionné électriquement pour marche / arrêt automatique des applications . L'actionneur est ouverte et la puissance alimentation à proximité , avec l'ajout de fin de course, indication optique et commande manuelle .



Technical - Valve

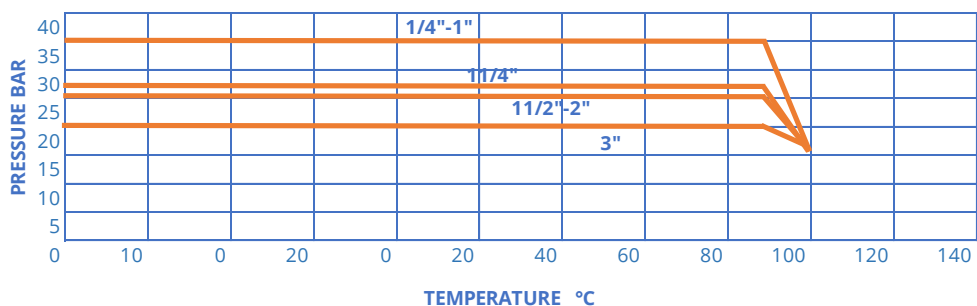
Body material	Brass nickel plated
Ball	Brass chrome plated
Seat	PTFE
Stem	Brass
O Ring	Viton

Specification

Pressure range	1/4"-21/2" 40 bar 3" 25 bar, 4" 16 bar
Temperature range	-20°C + 100°C
Movement	90 Degree adjustable -5°-+ 5°
Connection	Screwed BSPP
ISO Top	ISO 5211

DIMENSIONS

Size	Act.	A	B	Weight
1/4"	HQ005	67	189	2.9
3/8"	HQ005	67	189	2.8
1/2"	HQ005	59	189	2.9
3/4"	HQ005	69	190	3
1"	HQ005	83	190	3.3
1 1/4"	HQ005	94	190	3.6
1 1/2"	HQ005	102	196	3.9
2"	HQ005	124	196	4.7
2 1/2"	HQ005	141	1270	6
3"	HQ005	159	270	7.9



Features

Multi voltage design (Single phase & 24V)
 High corrosion resistance, anodized & painted housing
 4 off Limit switches
 Torque output: 50 Nm
 low current, long-life actuator due to unique brushless DC motor
 ensuring high reliability
 2 off M20 cable entries
 IP67 weatherproof enclosure
 F03/F04/F05/F07 mounting base with 14mm Star drive
 Captive cover bolts
 Visual beacon indicator & LED lamps
 70% Duty Rating (on/off only)
 Declutchable manual override handwheel
 Electronic torque limiter

Standard Actuator Specification

Enclosure	:	Weatherproof IP67
Power Supply	:	85 - 265 VAC 1 ph, 50/60Hz / 24 VAC/DC
Operating Time	:	90° - 13 seconds
Limit Switches	:	4 x SPDT, 250V AC 10A (2 std. & 2 additional)
Space Heater	:	2W Anti Condensation
Manual Override	:	Handwheel Declutchable
Duty Cycle (on/offduty)	:	S4, 70% (average load of 80% for Max. torque) S2, 50% (average load of 80% for Max. torque)
Travel Angle	:	330°
Conduit Entries	:	2 x M20
Ambient Temperature	:	-20 °C to + 80 °C
External Coating	:	Dry Powder, Polyester

PERFORMANCE

MODEL	HQ005
TORQUE(Nm)	50
SPEED 90° 50/60Hz	13
CURRENT 110/1/50	0.1A
(A) 220/1/50	0.05A
24 VAC/DC	0.8 A
WEIGHT	2.6
MAX.SQ.DRIVE	14
ISO 5211 mtg. base	F03, F04, F05, F07

